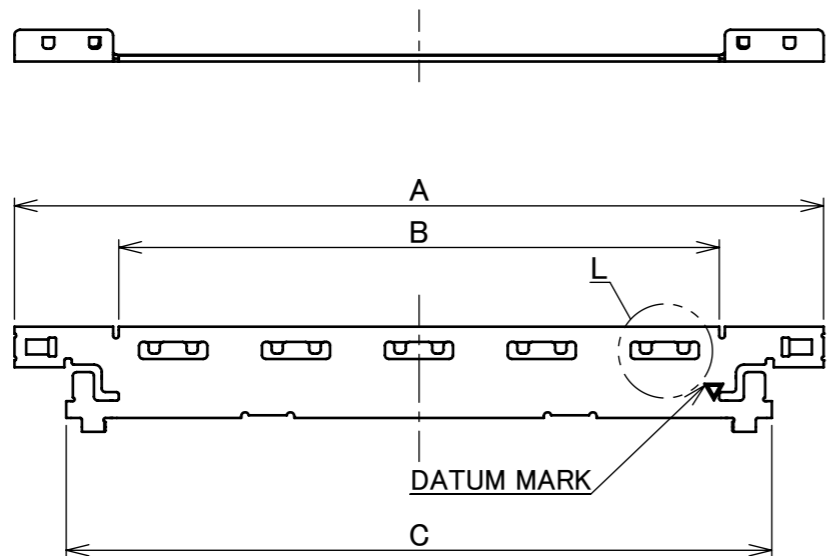


Recommended P/N 3204-0**1

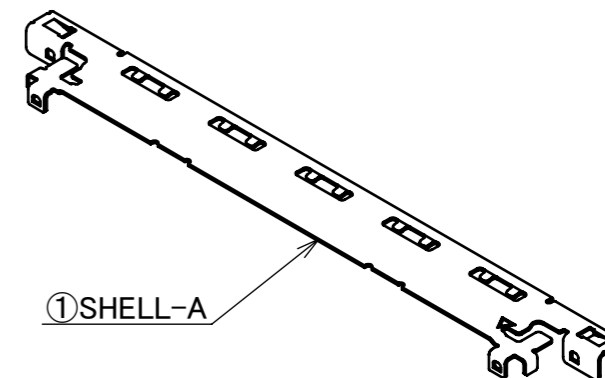
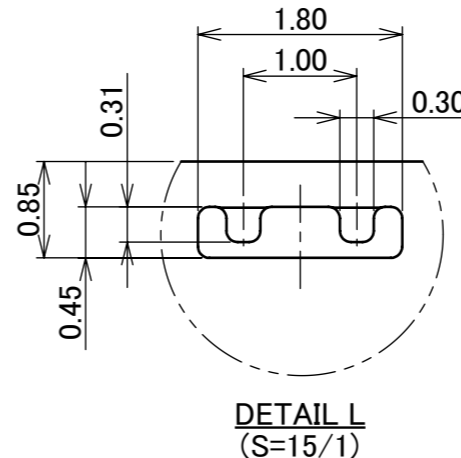
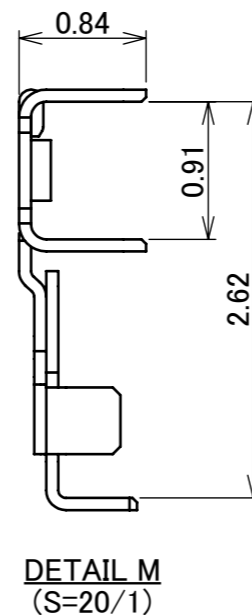
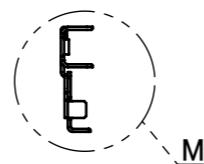
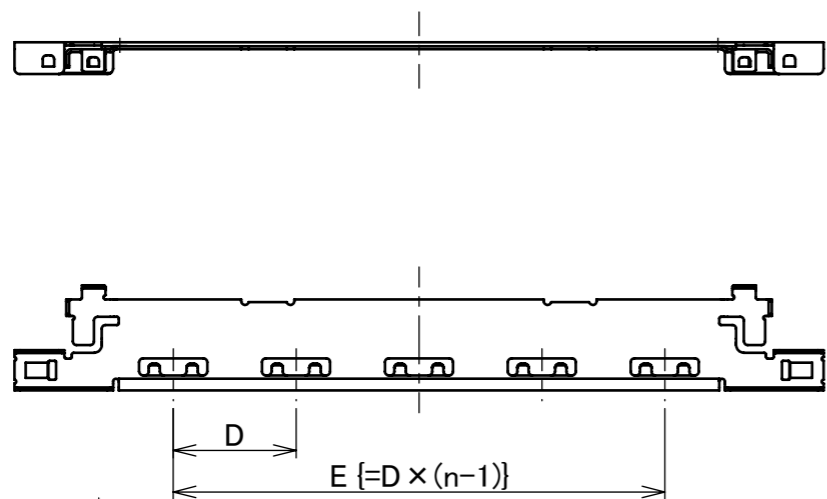
PART NO.	Pos.	A	B	C	D	E
3204-0201	20	13.40	7.88	10.66	2.50	5.00
3204-0301	30	17.40	11.88	14.66	3.00	9.00
3204-0401	40	21.40	15.88	18.66	3.25	13.00
3204-0501	50	25.40	19.88	22.66	3.40	17.00
3204-0601	60	29.40	23.88	26.66	4.00	20.00



TOP VIEW



BOTTOM VIEW

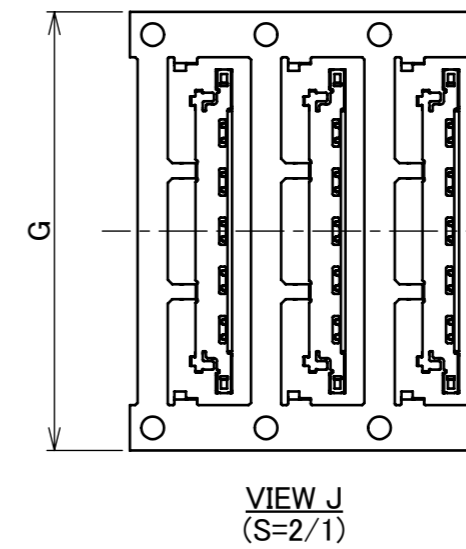
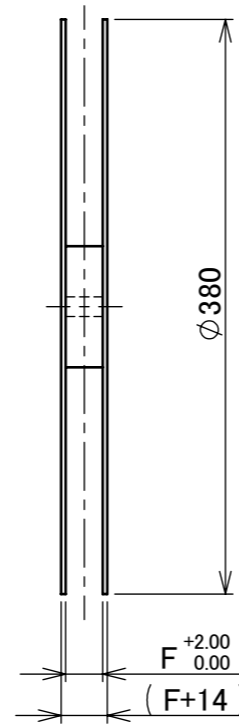
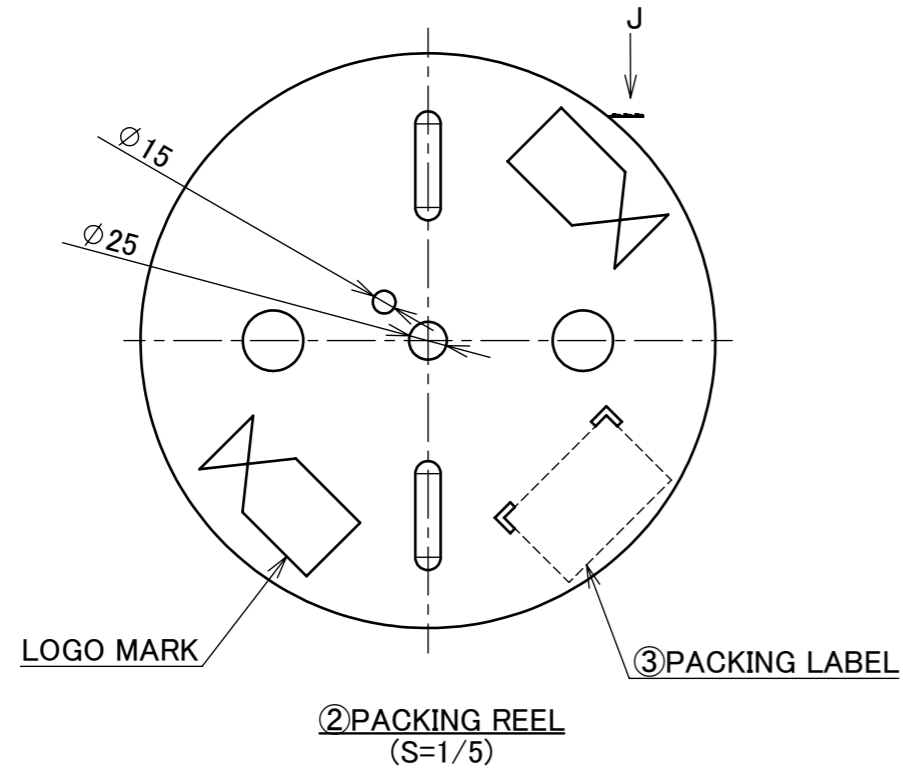


NO.	DISCRIPTION	MATERIAL	FINISH , REMARKS
1	SHELL-A	PHOSPHOR BRONZE	PARTIAL Au 0.003 μ m MIN. OVER Ni 1.00 μ m MIN.

REV.	ECN	BY	DATE	APP.	ANGLE	±2°	6 OVER 30 MAX.	±0.3	PROJECTION	SERIES No.	CUSTOMER COPY	
7	Z191208	A.K	Sept./12/'19	H.I	6 MAX.	±0.2	30 OVER 120 MAX.	±0.5		R2	CUSTOMER COPY	
6	Z180883	A.K	July/6/'18	H.I	GENERAL TOLERANCE.							R2
5	Z170732	T.M	June/26/'17	H.I	DWG.	DATE			SCALE 5:1 UNIT mm			
4	Z170200	T.M	Feb./27/'17	H.I	T.Masunaga	Mar./24/'15					SIZE A3	
3	Z161426	T.M	Nov./14/'16	J.T	CHK.	DATE		DWG. No. 3204				
					APP.	DATE						
REVISION RECORD					E.Kawabe	Mar./25/'15						

PATENT REGISTERED

PART No.	Pos.	F	G	QTY. PER EMBOSS REEL (PIECES / REEL)	QTY. PER PACKING CARTON (REELS / CARTON)	PACKING STANDARD
3204-0201	20	25.00	21.00	6000 / REEL	4 / CARTON = 24000	PST-15028
3204-0301	30	30.00	25.00			
3204-0401	40	35.00	29.00			
3204-0501	50	40.00	33.00			
3204-0601	60	40.00	37.00			



NO.	DISCRIPTION	MATERIAL	FINISH , REMARKS
3	PACKING LABEL	-	-
2	PACKING REEL	CARDBOARD	-

ANGLE	$\pm 2^\circ$	6 OVER 30 MAX.	± 0.3	PROJECTION	SERIES No.	CUSTOMER COPY
6 MAX.	± 0.2	30 OVER 120 MAX.	± 0.5		R2	
GENERAL TOLERANCE.				TITLE	SCALE	
DWG.	DATE		CABLINE®-CA II CABLINE®-CA II PLUS PLUG SHELL-A	2:1		
CHK.	DATE			UNIT		
APP.	DATE			mm		
				DWG. No.	SIZE	
				3204	A3	SHEET 2/2 REV. 7