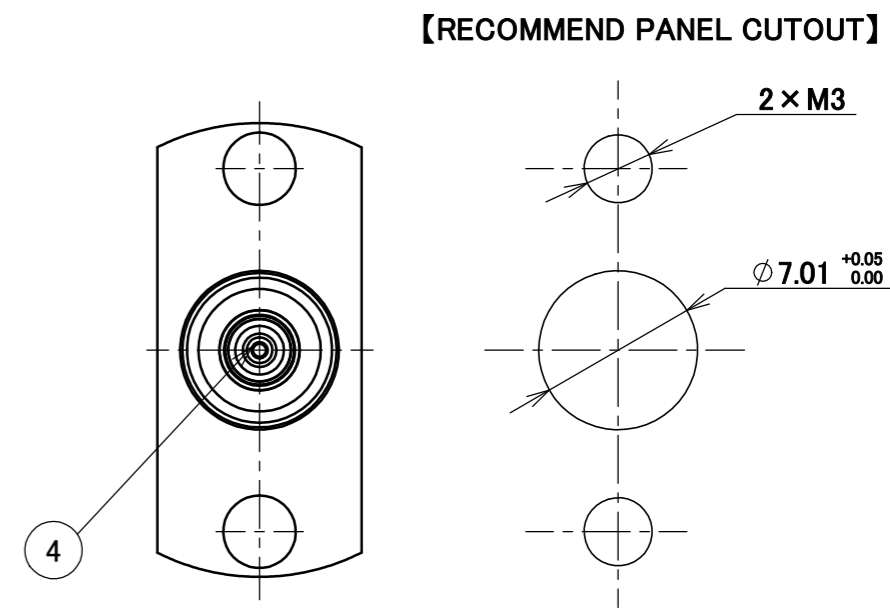
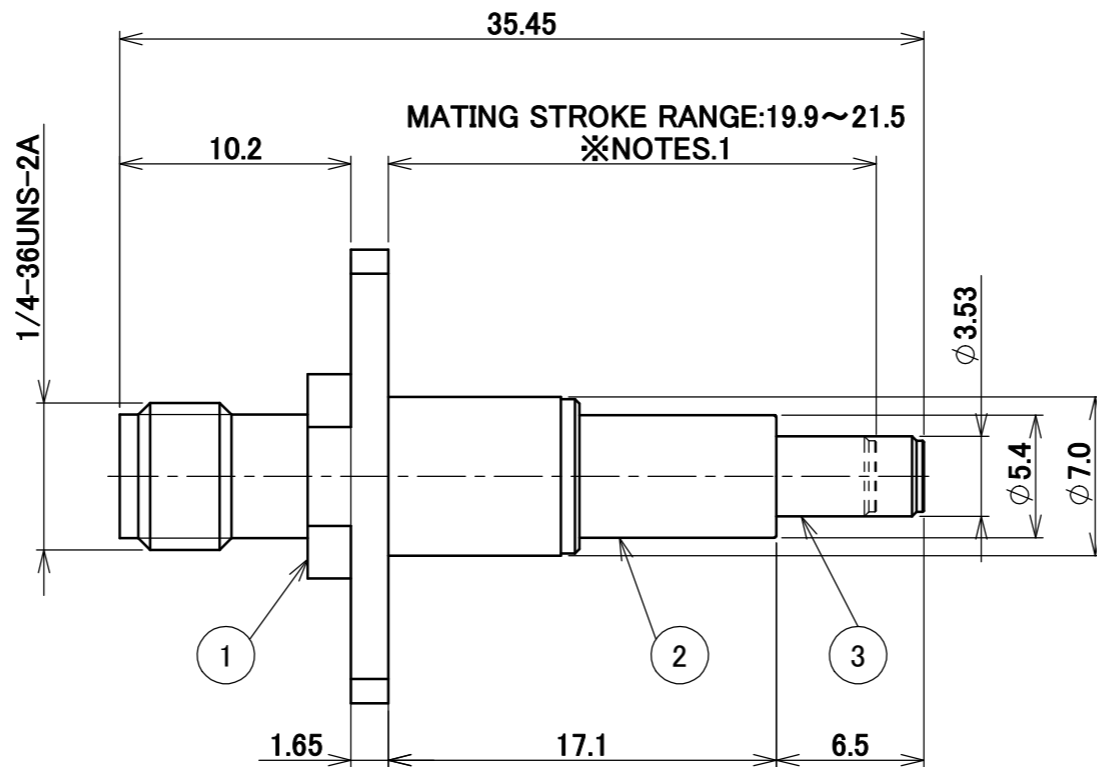
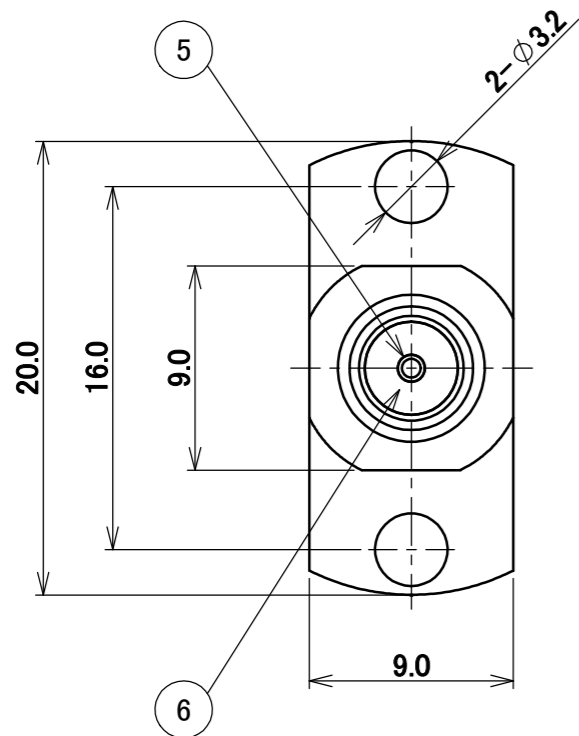
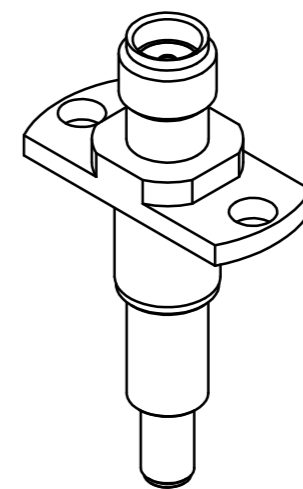


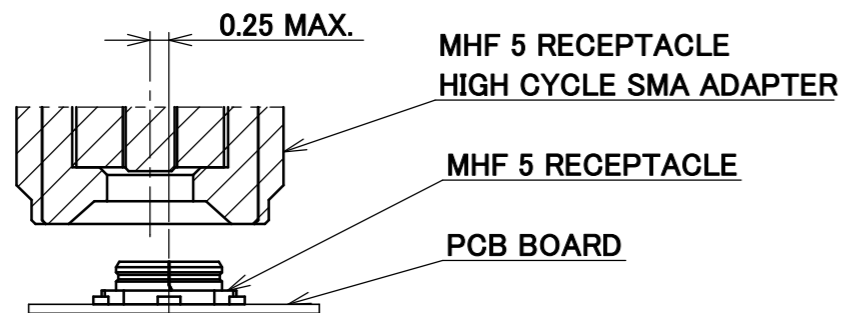
PART NO.

90793-0001



NOTES

1. WHEN MATING ADAPTER TO CONNECTOR, MATING STROKE LENGTH NEEDS TO BE IN RANGE OF 21.5mm TO 19.9mm FROM EDGE OF FLANGE(EDGE CLOSER TO TIP OF PROBE) TO TIP OF PROBE.
2. AXIAL MISALIGNMENT DISTANCE : 0.25mm MAX.



NO.	DESCRIPTION	MATERIAL	FINISH , REMARKS
6	INSULATOR	PTFE	
5	PIN CONTACT B	BERYLIUM COPPER	Au 1.0µm MIN. OVER Ni 2.0µm MIN.
4	PIN CONTACT A	BERYLIUM COPPER	Au 1.0µm MIN. OVER Ni 2.0µm MIN.
3	OUTER CONTACT A	STAINLESS STEEL	Au 1.0µm MIN. OVER Ni 2.0µm MIN.
2	OUTER CONTACT B	STAINLESS STEEL	PASSIVATION
1	SHELL	STAINLESS STEEL	PASSIVATION

					ANGLE	±2°	6 OVER 30 MAX.	±0.3	PROJECTION	SERIES No.	CUSTOMER COPY
						6 MAX.	±0.2	30 OVER 120 MAX.	±0.5	-	
					GENERAL TOLERANCE.				TITLE		SCALE
					DWG.	Y.Imaji		DATE	2018/02/16		5:1
					CHK.	Y.Hashimoto		DATE	2018/02/16		UNIT
					APP.	T.Hirakawa		DATE	2018/02/16		mm
REV.	ECN	BY	DATE	APP.	REVISION RECORD				DWG. No.	90793	SIZE
											A3
										SHEET	1/2
										REV.	1

ITEMS	SPECIFICATION
APPLICABLE CONNECTOR PART No.	20566-001E-01* 20761-001E-01
RATING FREQUENCY	DC~6GHz
NOMINAL CHARACTERISTIC IMPEDANCE	50ohm
OPERATING TEMPERATURE	233~363K(-40°C~+90°C)
VSWR	1.3 MAX. AT DC~3GHz, 1.5 MAX. AT 3~6GHz
INSERTION LOSS	-0.8dB MIN. (DC TO 6GHz)
INSULATION RESISTANCE	500Mohm MIN.(DC100V)
DIELECTRIC WITHSTANDING VOLTAGE	AC300V 1min
DURABILITY	10,000 CYCLES
PRODUCT SPECIFICATION	-
TEST REPORT	-
PACKING STANDARD	PST-14081
INSTRUCTION MANUAL	-

ANGLE	±2°	6 OVER 30 MAX.	±0.3	PROJECTION 	SERIES No. -	CUSTOMER COPY
6 MAX.	±0.2	30 OVER 120 MAX.	±0.5			
GENERAL TOLERANCE.				TITLE MHF® 5 RECEPTACLE HIGH CYCLE SMA ADAPTER	SCALE -	UNIT mm
DWG.	DATE					
CHK.	DATE					
APP.	DATE					
				DWG. No.	90793	SIZE A3
				SHEET 2/2		REV. 1