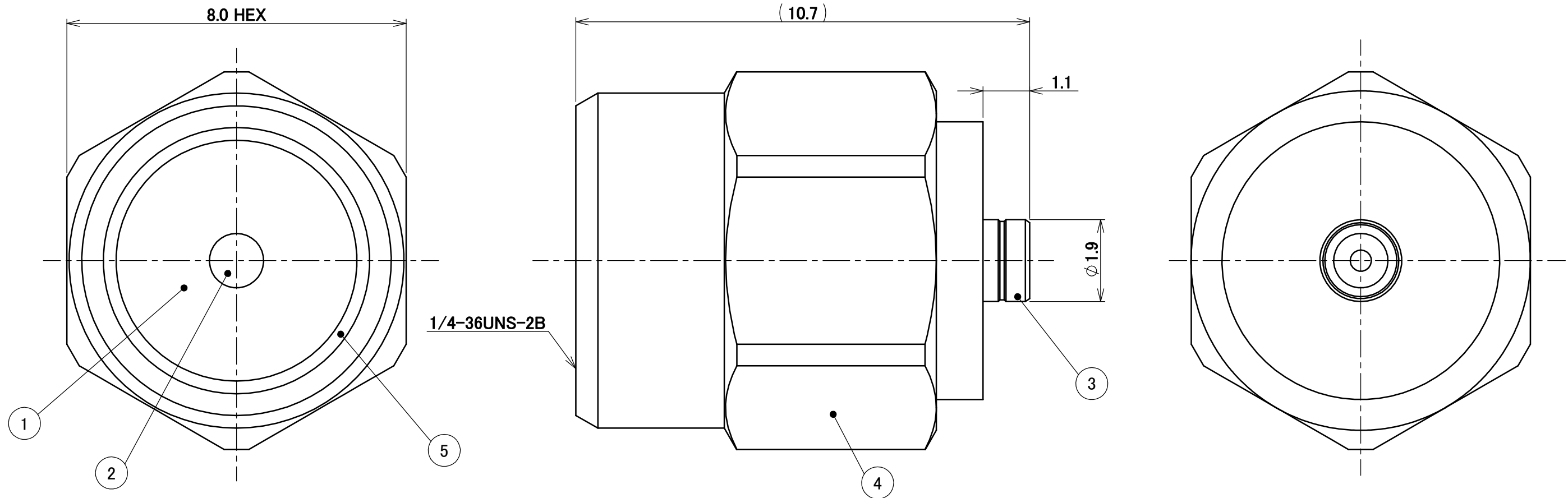
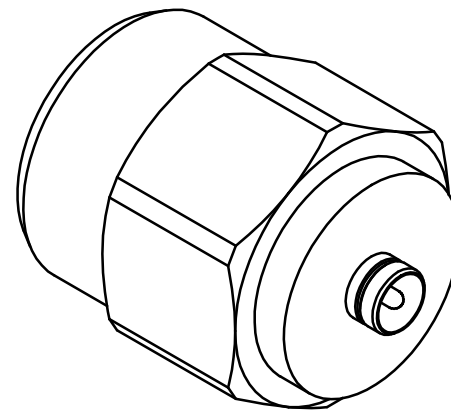
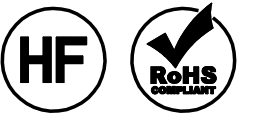


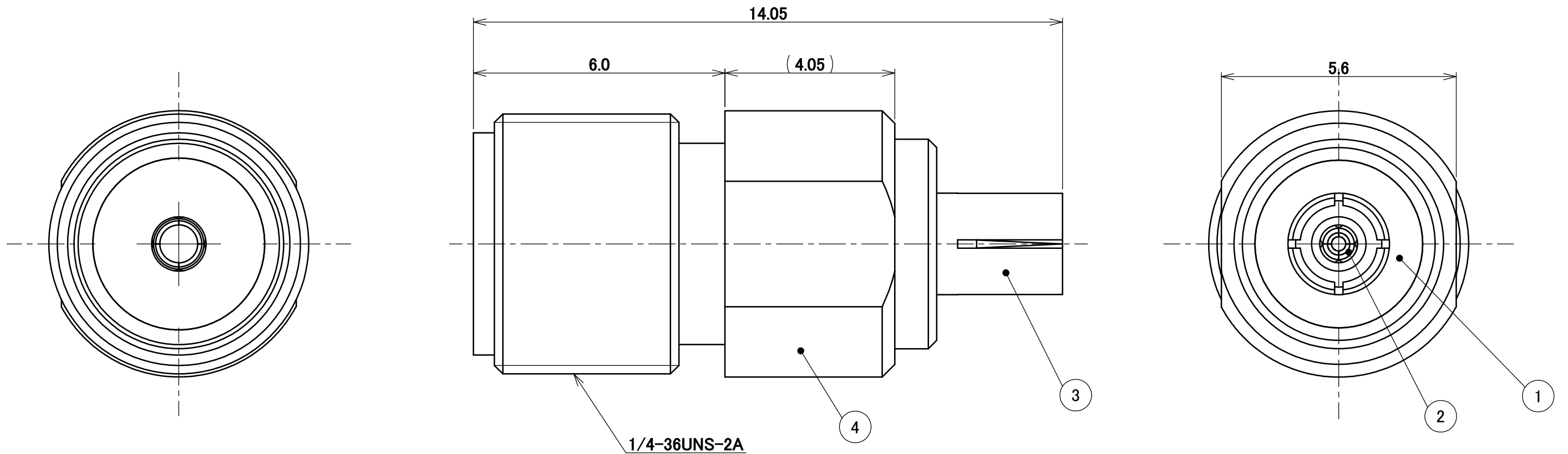
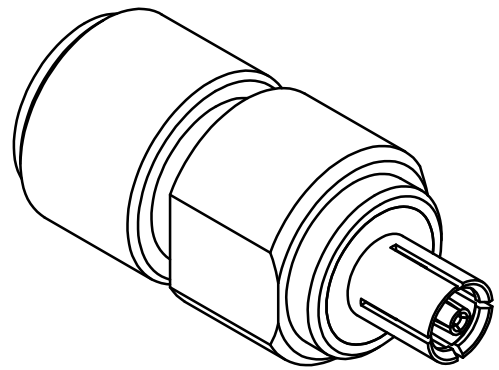
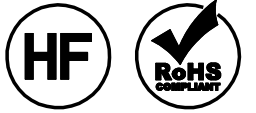
Recommended P/N 90193-001

PART NO.	MATERIAL OF CONTACT
90193-001	BRASS
90193-001-F	STAINLESS



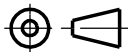
5	GASKET	RUBBER											
4	NUT	STAINLESS STEEL	PASSIVIATION										
3	SHELL	STAINLESS STEEL	Au 0.3 $\mu$ m MIN. OVER Ni 1.0 $\mu$ m MIN.										
2	CONTACT	BRASS OR STAINLESS	Au 1.0 $\mu$ m MIN. OVER Ni 1.0 $\mu$ m MIN.										
1	INSULATOR	FLUORINE PLASTICS											
NO.	DESCRIPTION	MATERIAL	FINISH , REMARKS										
6	Z190666 K.I 2019/05/20 Y.H	ANGLE $\pm 2^\circ$ 6 OVER 30 MAX. $\pm 0.3$	PROJECTION  SERIES No. R0 TITLE MHF <sup>®</sup> I SMA ADAPTER DWG. No. 90193 SCALE 10:1 UNIT mm SIZE A3 SHEET 1/3 REV. 6 CUSTOMER COPY <b>I-PEX</b>										
5	Z13796 T.S 2013/08/27 E.K	6 MAX. $\pm 0.2$ 30 OVER 120 MAX. $\pm 0.5$											
4	Z08145 K.O 2008/03/27 E.K	GENERAL TOLERANCE.											
3	Z08116 K.O 2008/03/12 E.K	DWG. K.Oobayashi DATE 2001/10/01											
2	Z05069 K.O 2005/02/16 T.H	CHK. E.Kawabe DATE 2001/10/02											
1	Z04251 K.O 2004/07/21 E.K	APP. K.Katabuchi DATE 2001/10/03											
REV.	ECN	BY	DATE	APP.	DATE	DWG. No.	90193	SIZE	A3	SHEET	1/3	REV.	6

PART NO.
90193-002



4	SHELL	STAINLESS STEEL	PASSIVIATION
3	OUTER CONTACT	BERYLLIUM COPPER	Au 0.3 μm MIN. OVER Ni 1.0 μm MIN.
2	INNER CONTACT	BERYLLIUM COPPER	Au 1.0 μm MIN. OVER Ni 1.0 μm MIN.
1	INSULATOR	FLUORINE PLASTICS	
NO.	DESCRIPTION	MATERIAL	FINISH, REMARKS
		ANGLE ±2° 6 OVER 30 MAX. ±0.3	PROJECTION  SERIES No. R0
		6 MAX. ±0.2 30 OVER 120 MAX. ±0.5	CUSTOMER COPY
		GENERAL TOLERANCE.	TITLE MHF® I
		DWG. DATE	SCALE 10:1
		CHK. DATE	UNIT mm
		APP. DATE	SIZE A3
		REVISION RECORD	DWG. No. 90193
			SHEET 2/3 REV. 6

ITEMS	SPECIFICATION	
PART No.	90193-001	90193-002
APPLICABLE CONNECTOR PART No.	P/N: 20278-11*R-**, 20308-***R-** 20351-***R-37, 20631-***R-** 20670-001R-**, 20767-001R-20 20311-011R-**, 20312-011R-** 20686-001R-**	P/N: 20279-001E-**, 20314-001E-01 20431-001E-01, 20441-001E-01
RATING FREQUENCY	DC~6GHz	
OPERATING TEMPERATURE	233~358K(-40°C~+85°C)	
OPERATING HUMIDITY	85% MAX.(NON-CONDENSING)	
VSWR	1.3 MAX. AT DC~3GHz, 1.5 MAX. AT 3~6GHz	
DIELECTRIC WITHSTANDING VOLTAGE	AC200V 1min	
DURABILITY	3,000 CYCLES AT MHF SIDE	500 CYCLES AT MHF SIDE
PACKING STANDARD	PST-12033	

ANGLE	±2°	6 OVER 30 MAX.	±0.3	PROJECTION 	SERIES No. <b>R0</b>	CUSTOMER COPY
	6 MAX.	±0.2	30 OVER 120 MAX.			
GENERAL TOLERANCE.				TITLE <b>MHF® I</b> <b>SMA ADAPTER</b>	SCALE -	<b>I-PEX</b>
DWG.	DATE					
CHK.	DATE					
APP.	DATE					
				DWG. No.	<b>90193</b>	SIZE <b>A3</b>
				SHEET	<b>3/3</b>	REV. <b>6</b>