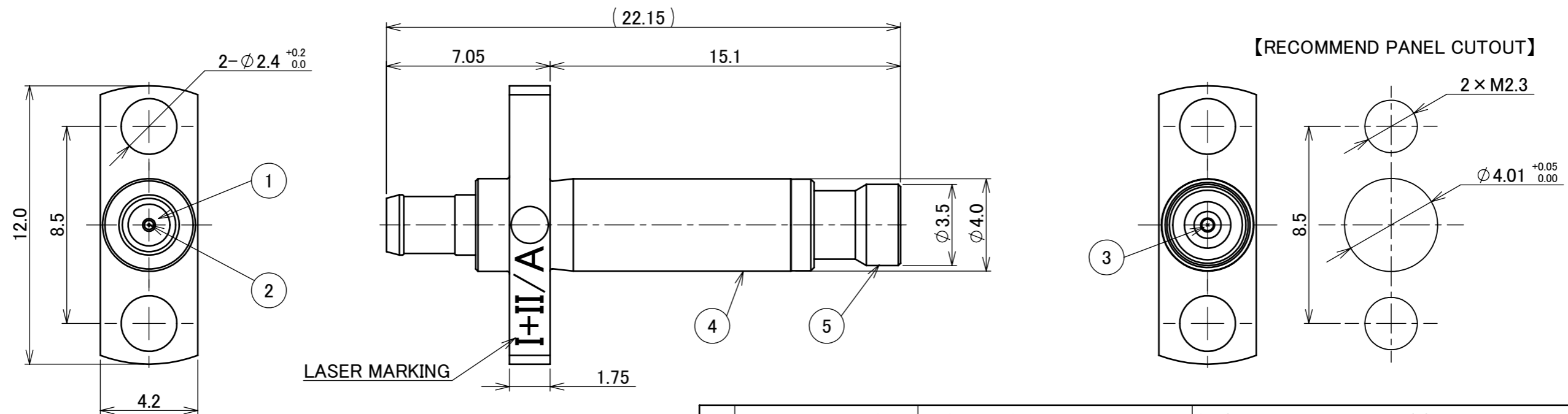
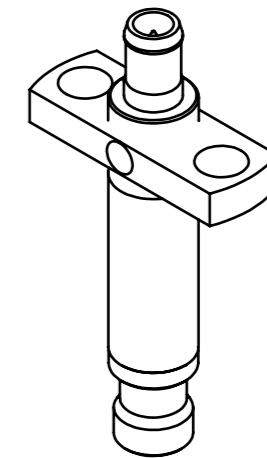
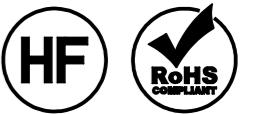
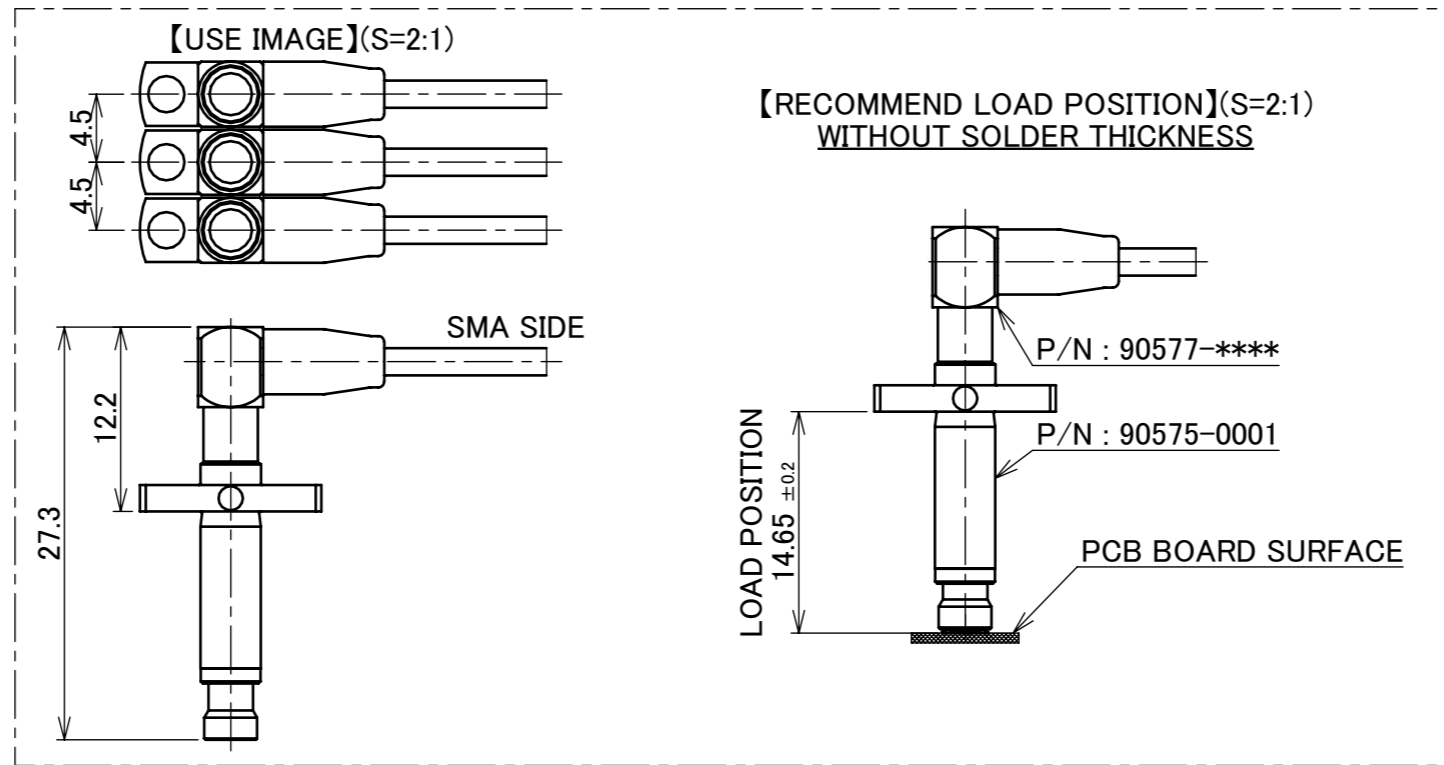
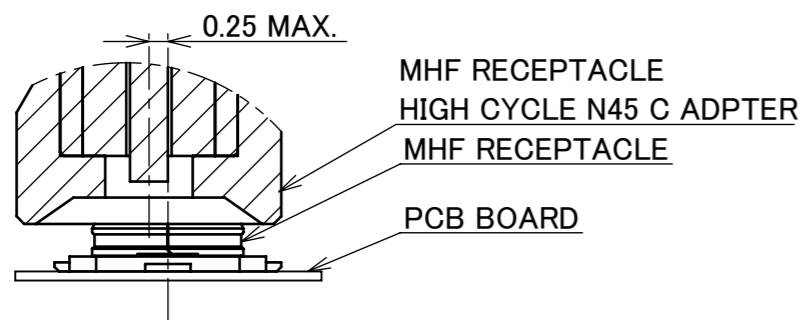


PART NO.
90575-0001



NOTES.
1. AXIAL MISALIGNMENT DISTANCES :0.25mm MAX.



5	GROUND CONTACT	STAINLESS STEEL	Au 0.5 μm MIN. OVER Ni 1.0 μm MIN,	
4	SHELL	BRASS	Ni 1.0 μm MIN.	
3	CONTACT PROBE	BRASS	Au 1.0 μm MIN. OVER Ni 1.0 μm MIN.	
2	PIN CONTACT	BERYLIUM COPPER	Au 1.0 μm MIN. OVER Ni 1.0 μm MIN.	
1	INSLATOR	PTFE		
NO.	DESCRIPTION	MATERIAL	FINISH , REMARKS	
9	Z210333 Yufu	2021/03/30 M.T	ANGLE ±2°	6 OVER 30 MAX. ±0.3
8	Z190618 K.I	2019/05/08 H.Y	6 MAX. ±0.2	30 OVER 120 MAX. ±0.5
7	Z131027 S.H	2013/11/11 Tom	GENERAL TOLERANCE.	
6	Z13376 KOH	2013/05/01 E.K	DWG. K.Nisiyama	DATE 2012/03/19
5	Z121033 H.K	2012/12/03 Tom	CHK.	-
4	Z12973 KOH	2012/11/08 E.K	APP.	-
REV.	ECN	BY	DATE	APP.
REVISION RECORD				
E.Kawabe				
			PROJECTION	SERIES No. R1
			TITLE	CUSTOMER COPY
			MHF® I RECEPTACLE HIGH CYCLE N45 C ADAPTER	SCALE 5:1
				UNIT mm
			DWG. No. 90575	SIZE A3
				SHEET 1/2
				REV. 9

ITEMS	SPECIFICATION
APPLICABLE CONNECTOR PART No.	MHF RECEPTACLE P/N:20279-001E-0*,20314-001E-01,20441-001E-01 MHF-A RECEPTACLE P/N:20429-001E MHF SERIES N45 C TO SMA ADPTER CABLE P/N:90577-0***
RATING FREQUENCY	DC~6GHz
VSWR	1.3 MAX. (DC~3GHz), 1.5 MAX. (3GHz~6GHz)
INSULATION RESISTANCE	500Mohm MIN. at DC100V
DIELECTRIC WITHSTANDING VOLTAGE	AC300V 1min
DURABILITY	RECEPTACLE : 10,000 CYCLES. MHF SERIES N45 C TO SMA ADPTER CABLE : 100 CYCLES.
PRODUCT SPECIFICATION	-
TEST REPORT	-
INSTRUCTION MANUAL	HIM-16016
APPEARANCE CRITERIA No.	QLS-A***

ANGLE	±2°	6 OVER 30 MAX.	±0.3	PROJECTION 	SERIES No. R1	CUSTOMER COPY			
6 MAX.	±0.2	30 OVER 120 MAX.	±0.5						
GENERAL TOLERANCE.				TITLE MHF® I RECEPTACLE HIGH CYCLE N45 C ADAPTER	SCALE	I-PEX			
DWG.	DATE				-				
CHK.					UNIT				mm
APP.					SIZE				A3
				DWG. No.	90575				