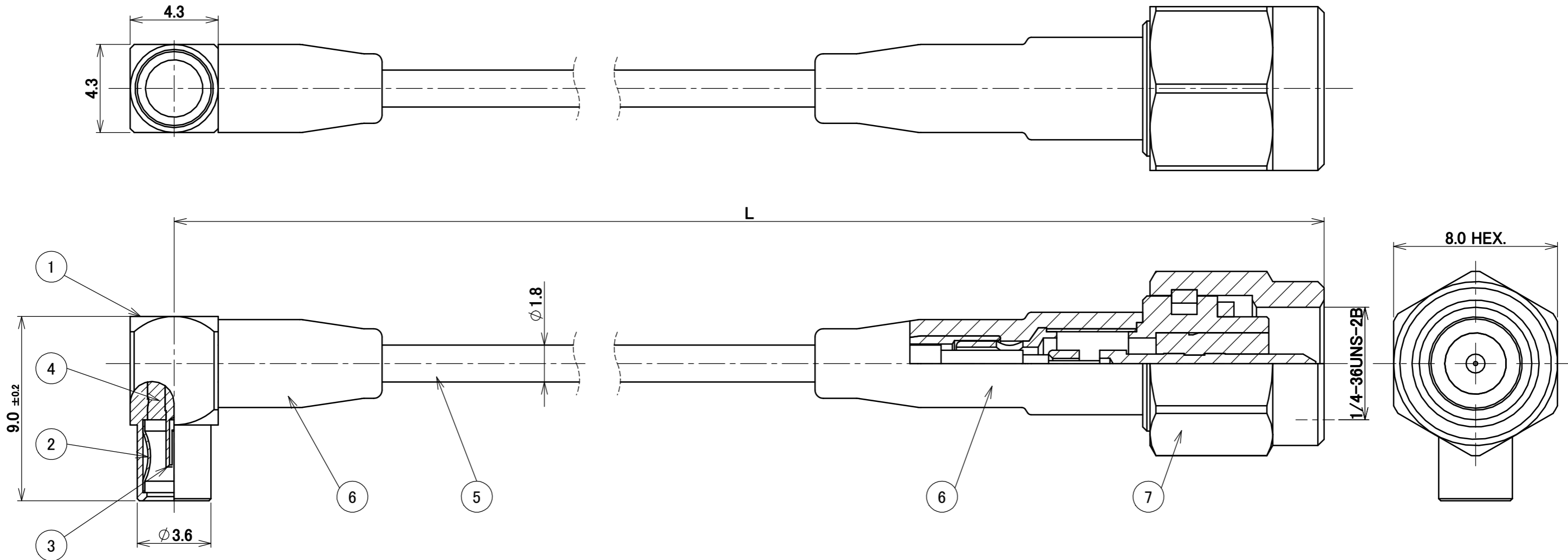
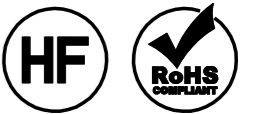


Recommended P/N 90577-****

PART NO.	L (mm)
90577-0100	100 ⁺¹⁰ / ₀
90577-0350	350 ⁺²⁰ / ₀
90577-0750	750 ⁺³⁰ / ₀



NOTES

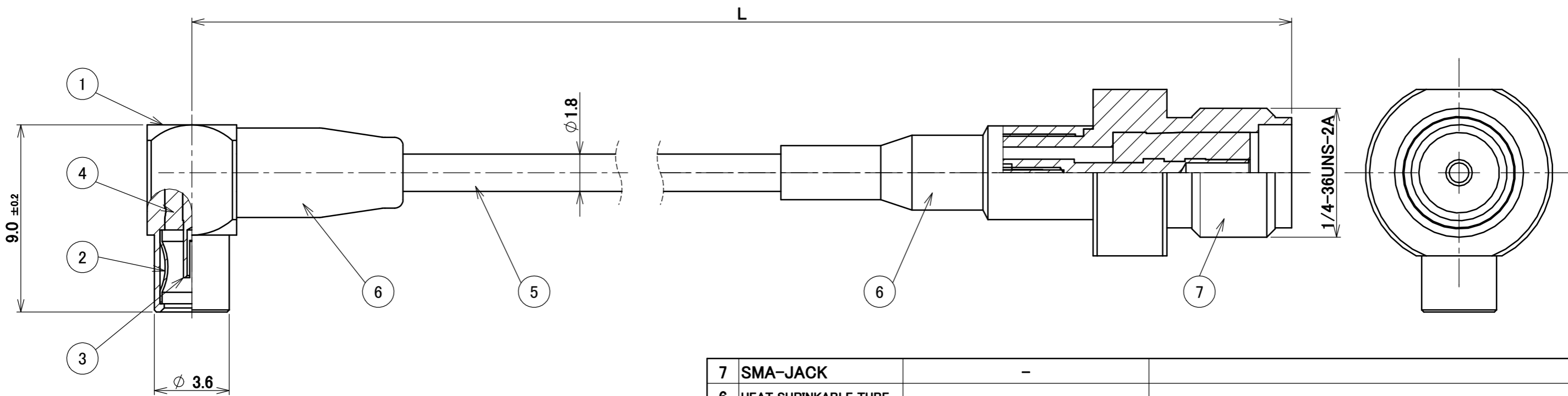
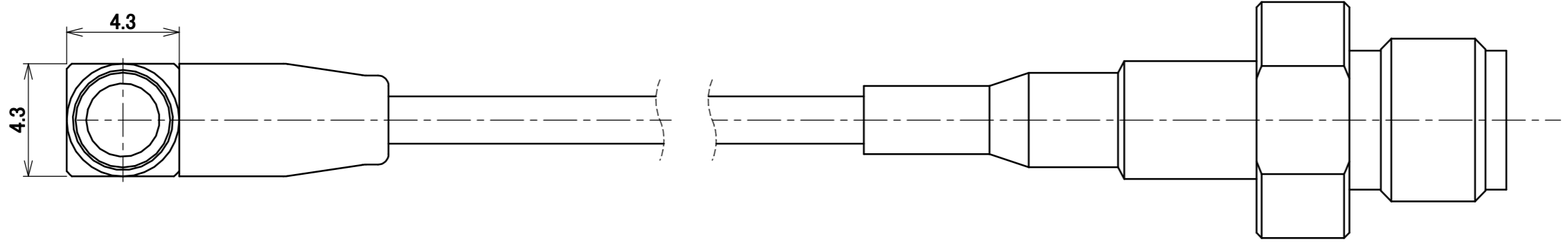
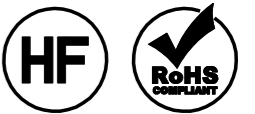
1. APPLICATIONS

- MHF RECEPTACLE HIGH CYCLE N45 C ADAPTER (PART NO. 90575-0001)
- MHF 4 RECEPTACLE HIGH CYCLE N45 C ADAPTER (PART NO. 90576-0001)
- MHF 5 RECEPTACLE HIGH CYCLE N45 C ADAPTER (PART NO. 90847-0001)

7	SMA-PLUG	-											
6	HEAT SHRINKABLE TUBE	-											
5	COAXIAL CABLE	-	BLACK										
4	INSULATOR	PTFE											
3	SOCKET CONTACT	BERYLLIUM COPPER	ALL OVER Ni Au 0.8 μm MIN.										
2	DRUM SPRING	BERYLLIUM COPPER	Au 0.3 μm										
1	SHELL	BRASS	Ni 1.0 μm MIN.										
NO.	DESCRIPTION	MATERIAL	FINISH, REMARKS										
9	Z190618	K.I	2019/05/08	Y.H	ANGLE	±2°	6 OVER 30 MAX.	±0.3	PROJECTION ⊕	SERIES No. R1	CUSTOMER COPY		
8	Z190283	Y.I	2019/02/27	Y.H	6 MAX.	±0.2	30 OVER 120 MAX.	±0.5					
7	Z151404	Yufu	2015/12/08	Ken	GENERAL TOLERANCE.				TITLE MHF® SERIES N45 C TO SMA ADAPTER CABLE	SCALE 5:1 UNIT mm	I-PEX		
6	Z131027	S.H	2013/11/11	Tom	DWG.		DATE						
5	Z121033	H.K	2012/12/03	E.K	K.Nisiyama		2012/03/12						
4	Z12973	K.N	2012/11/08	E.K	CHK.		DATE						
REV.	ECN	BY	DATE	APP.	APP.		DATE		DWG. No.	90577	SIZE A3	SHEET 1/3	REV. 9
REVISION RECORD					E.Kawabe		2012/03/12						

Recommended P/N 90577-J***

PART NO.	L (mm)
90577-J100	100 ⁺¹⁰ ₀
90577-J150	150 ⁺¹⁰ ₀



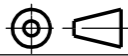
7	SMA-JACK	-	
6	HEAT SHRINKABLE TUBE	-	
5	COAXIAL CABLE	-	BLACK
4	INSULATOR	PTFE	
3	SOCKET CONTACT	BERYLLIUM COPPER	ALL OVER Ni Au 0.8 μm MIN.
2	DRUM SPRING	BERYLLIUM COPPER	Au 0.3 μm
1	SHELL	BRASS	Ni 1.0 μm MIN.
NO.	DESCRIPTION	MATERIAL	FINISH , REMARKS

NOTES

- 1. APPLICATIONS
- MHF RECEPTACLE HIGH CYCLE N45 C ADAPTER (PART NO. 90575-0001)
- MHF 4 RECEPTACLE HIGH CYCLE N45 C ADAPTER (PART NO. 90576-0001)
- MHF 5 RECEPTACLE HIGH CYCLE N45 C ADAPTER (PART NO. 90847-0001)

<table border="1"> <thead> <tr> <th>REV.</th> <th>ECN</th> <th>BY</th> <th>DATE</th> <th>APP.</th> </tr> </thead> <tbody> <tr> <td colspan="5">REVISION RECORD</td> </tr> </tbody> </table>					REV.	ECN	BY	DATE	APP.	REVISION RECORD					ANGLE $\pm 2^\circ$ 6 OVER 30 MAX. ± 0.3 6 MAX. ± 0.2 30 OVER 120 MAX. ± 0.5	PROJECTION 	SERIES No. R1	CUSTOMER COPY	
					REV.	ECN	BY	DATE	APP.										
REVISION RECORD																			
GENERAL TOLERANCE. DWG. DATE CHK. DATE APP. DATE		TITLE MHF® SERIES N45 C TO SMA ADAPTER CABLE	SCALE 5:1 UNIT mm																
DWG. No. 90577			SIZE A3	SHEET 2/3	REV. 9														

ITEMS	SPECIFICATION
APPLICATION (REPRESENTATIVE)	MHF RECEPTACLE HIGH CYCLE N45 C ADAPTER (PART NO. 90575-0001) MHF 4 RECEPTACLE HIGH CYCLE N45 C ADAPTER (PART NO. 90576-0001) MHF 5 RECEPTACLE HIGH CYCLE N45 C ADAPTER (PART NO. 90847-0001)
RATING FREQUENCY	DC ~ 6 GHz
OPERATING TEMPERATURE	243 ~ 343 K (-40°C~+70°C)
OPERATING HUMIDITY	85% MAX.(NON-CONDENSING)
VSWR	90577-0***: 1.3 MAX. AT DC ~ 3 GHz, 1.5 MAX. AT 3 ~ 6 GHz 90577-J***: 1.5 MAX. AT DC ~ 3 GHz, 1.8 MAX. AT 3 ~ 6 GHz
INSULATION RESISTANCE	500 Mohm MIN.
DIELECTRIC WITHSTANDING VOLTAGE	AC 300 V 1min
DURABILITY	100 CYCLES MAX.
PRODUCT SPECIFICATION	PRS-2002
TEST REPORT	TR-14094
PACKING STANDARD	PST-12054
INSTRUCTION MANUAL	HIM-14020

ANGLE	±2°	6 OVER 30 MAX.	±0.3	PROJECTION 	SERIES No. R1	CUSTOMER COPY
	6 MAX.	±0.2	30 OVER 120 MAX.			
GENERAL TOLERANCE.				TITLE MHF® SERIES N45 C TO SMA ADAPTER CABLE	SCALE -	UNIT mm
DWG.	DATE					
CHK.	DATE					
APP.	DATE					
				DWG. No.	90577	SIZE A3
				SHEET	3/3	REV. 9