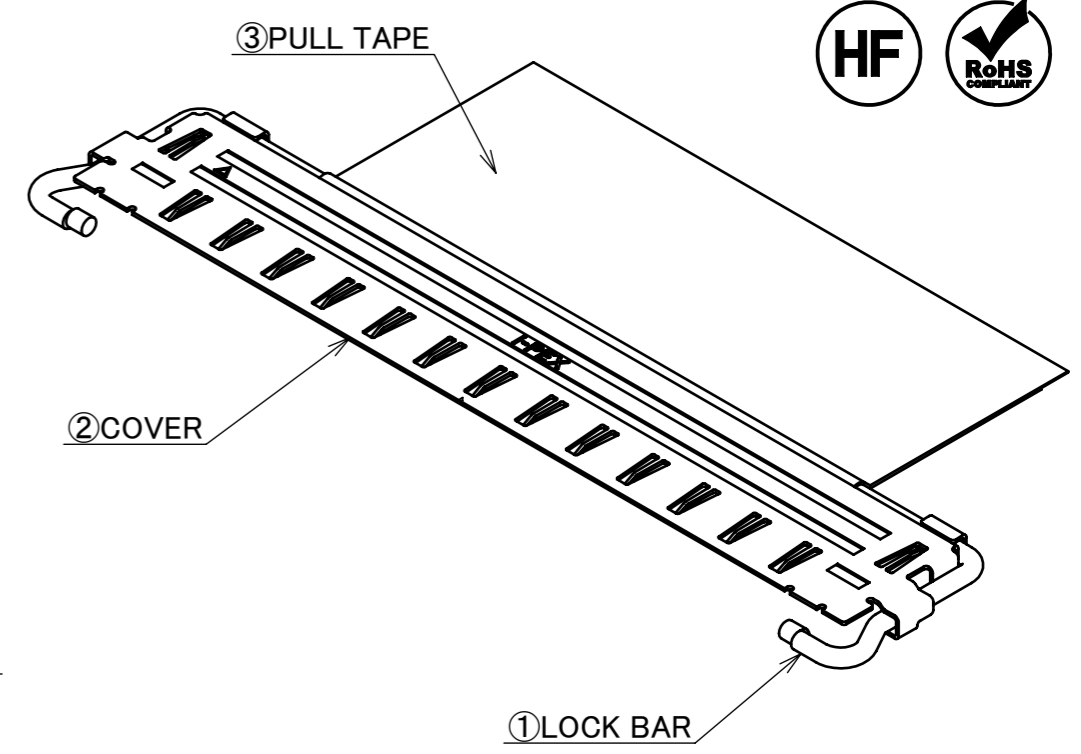
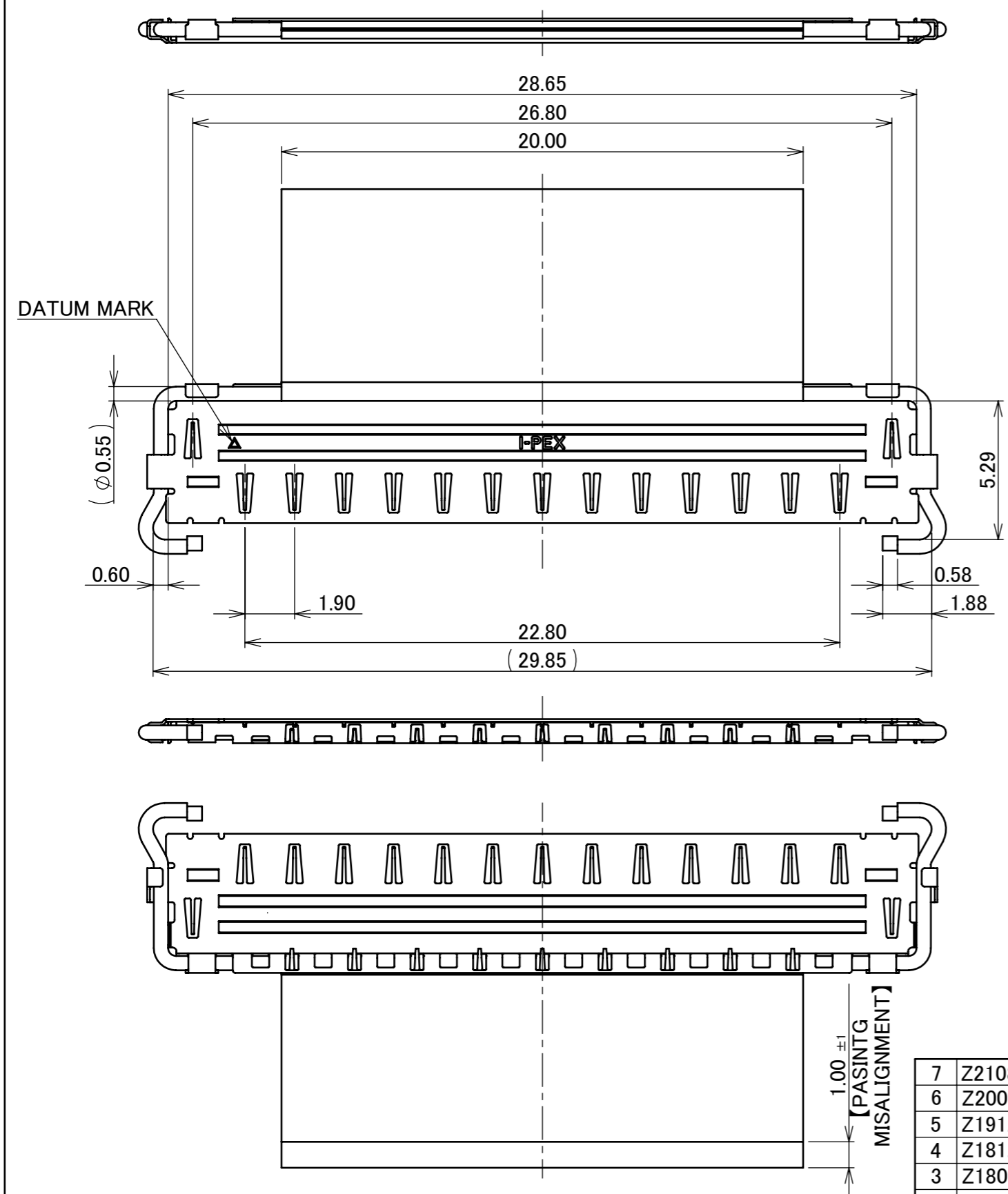


Recommended P/N 20789-0**T-01

PART NO.	Pos.	PULL TAPE
20789-060T-01	60	WITHOUT
20789-060T-02	60	WITH



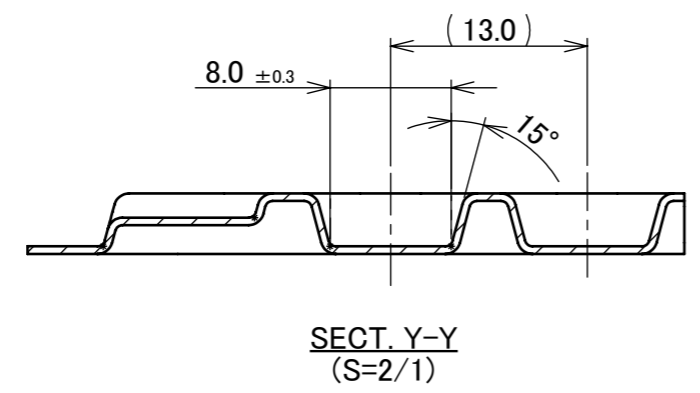
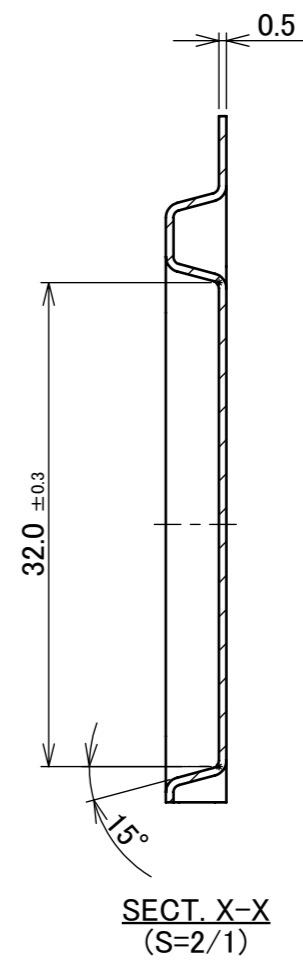
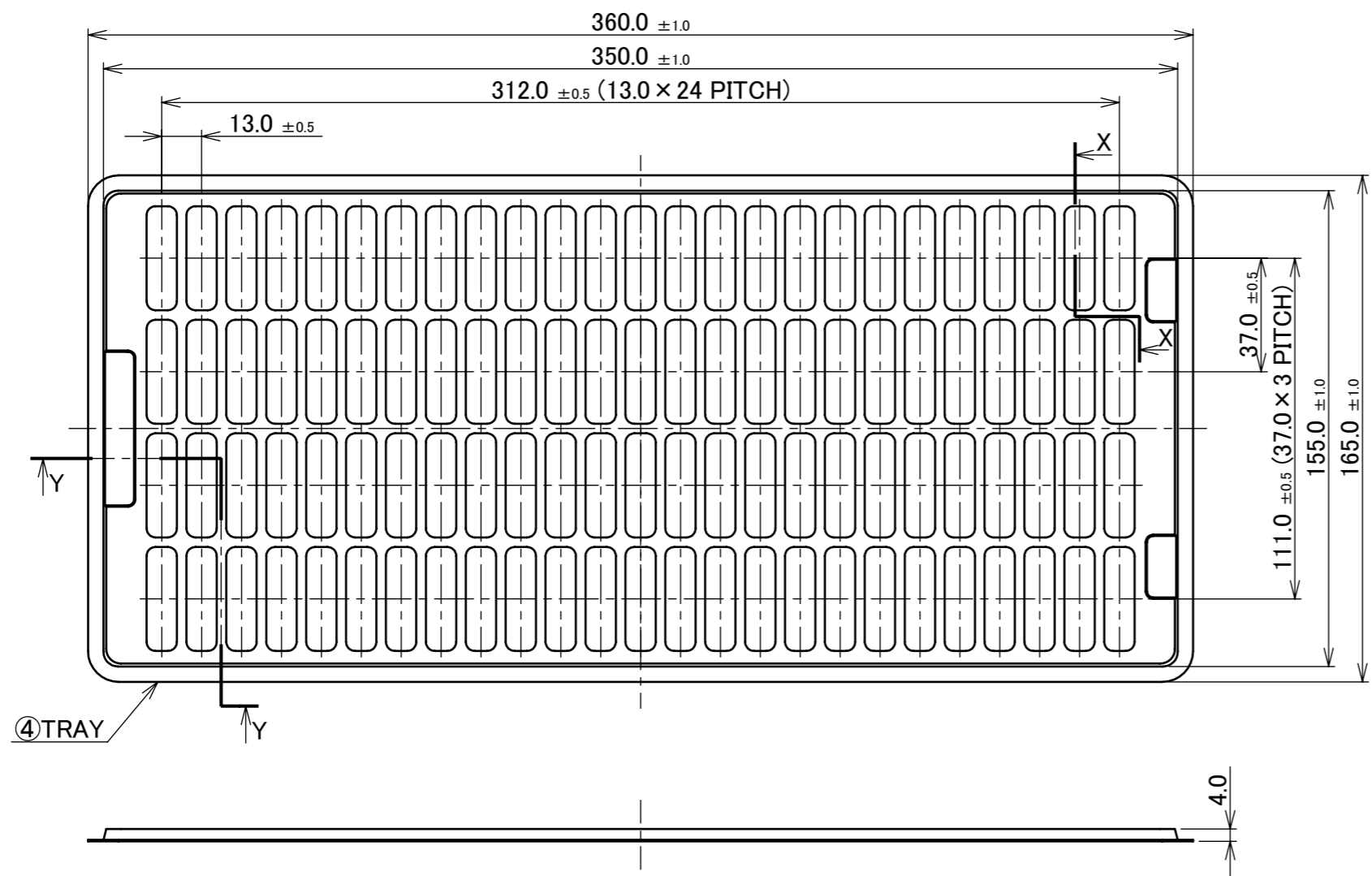
NO.	DISCRIPTION	MATERIAL	FINISH , REMARKS
3	PULL TAPE	POLYESTER FILM	-
2	COVER	PHOSPHOR BRONZE	ALL OVER Ni 1.00 μ m MIN.
1	LOCK BAR	SUS φ 0.55	-

REV.	ECN	BY	DATE	APP.	APP.	DATE	DWG. No.	TITLE	SCALE	SHEET	REV.
7	Z210843	A.K	July/27/'21	H.I	ANGLE	±2°	6 OVER 30 MAX.	±0.3	PROJECTION	SERIES No. R2	CUSTOMER COPY
6	Z200634	A.K	June/19/'20	Y.S	6 MAX.	±0.2	30 OVER 120 MAX.	±0.5			
5	Z191208	A.K	Sept./12/'19	H.I	GENERAL TOLERANCE.			TITLE CABLIN®-CA II PLUS PLUG LOCK BAR ASS'Y	UNIT mm	SIZE A3	SHEET 1/3 REV. 7
4	Z181226	A.K	Sept./20/'18	H.I	DWG.	DATE	Nov./14/'16				
3	Z180907	A.K	July/13/'18	H.I	T.Masunaga	Nov./14/'16					
2	Z170554	T.M	May/11/'17	Y.S	CHK.	DATE	Nov./14/'16				
REV.	ECN	BY	DATE	APP.	J.Tateishi	Nov./14/'16	20789				

PATENT REGISTERED

PART NO.	QTY. IN DITCH (PIECES / DITCH)	QTY. IN TRAY (PIECES / TRAY)	QTY. PER SHIPPING CARTON (TRAYS / CARTON)	QTY. PER PACKING CARTON (TRAYS / CARTON)	PACKING STANDARD
20789-060T-01	1	100 / TRAY	20 / S CARTON = 2000	4 / P CARTON = 8000	PST-16077

20789-0T-01 : WITHOUT PULL TAPE**

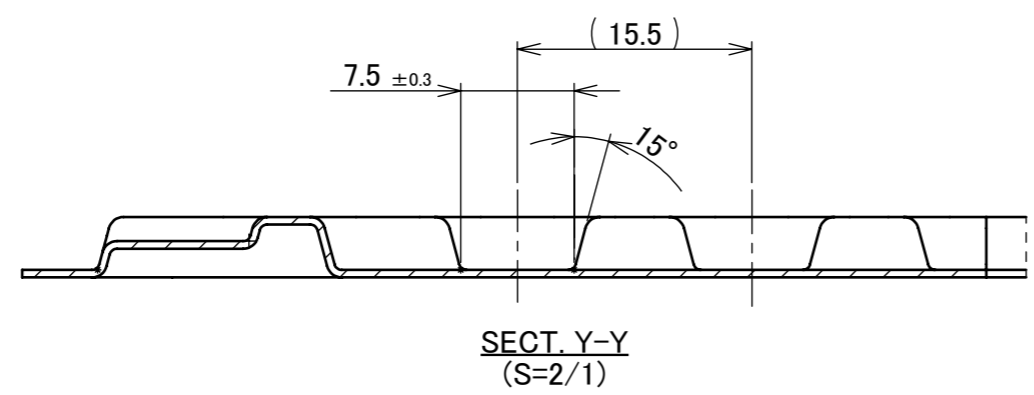
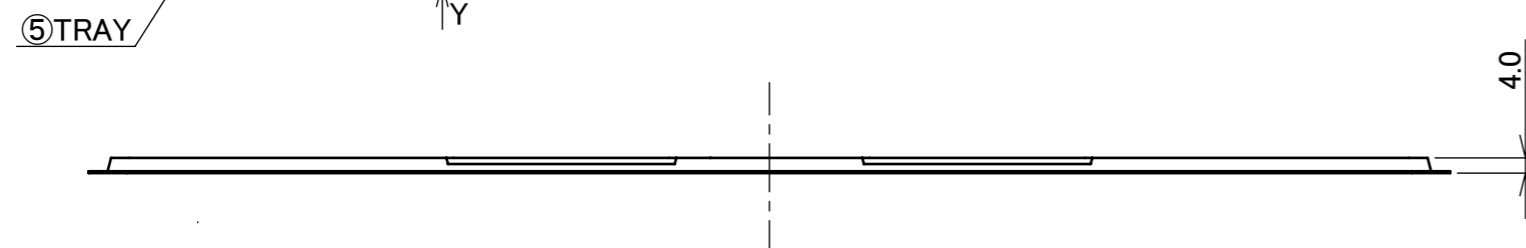
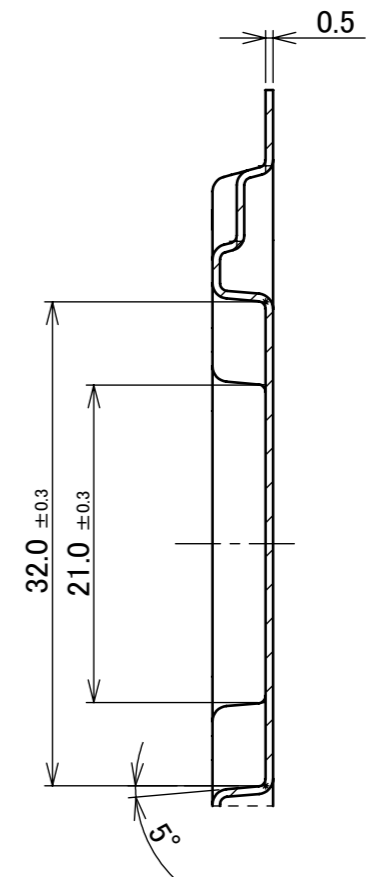
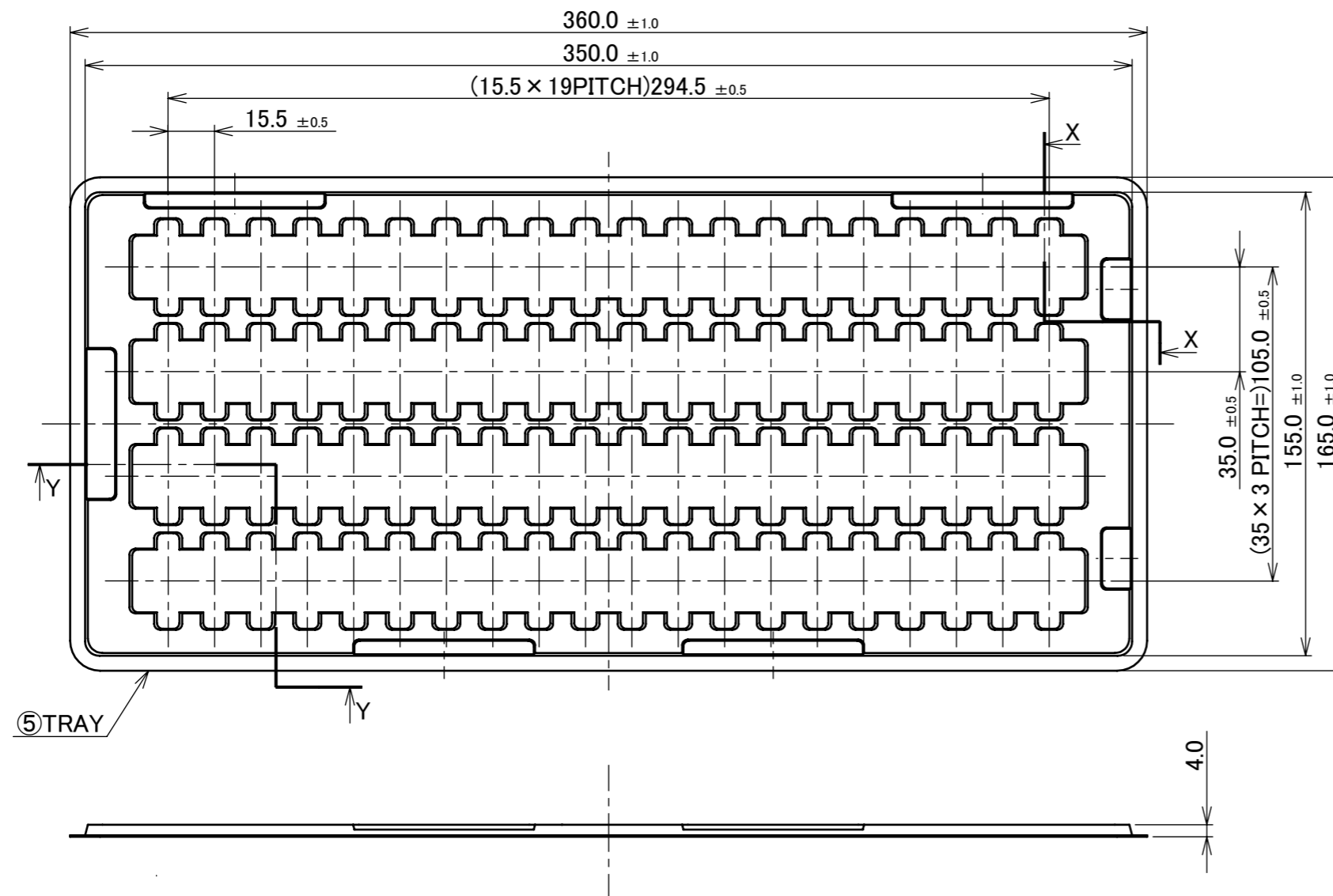


NO.	DISCRIPTION	MATERIAL	FINISH , REMARKS
4	TRAY	PP	ANTI-STATIC TYPE

ANGLE	±2°	6 OVER 30 MAX.	±0.3	PROJECTION	SERIES No.	CUSTOMER COPY
6 MAX.	±0.2	30 OVER 120 MAX.	±0.5		R2	
GENERAL TOLERANCE.				TITLE	SCALE	
DWG.	DATE		CABLIN [®] -CA II PLUS PLUG LOCK BAR ASS'Y	1:2		
CHK.	DATE			UNIT		
APP.	DATE			mm		
				SIZE		
				DWG. No.	20789	A3
						SHEET 2/3
						REV. 7

PART NO.	QTY. IN DITCH (PIECES / DITCH)	QTY. IN TRAY (PIECES / TRAY)	QTY. PER SHIPPING CARTON (TRAYS / CARTON)	QTY. PER PACKING CARTON (TRAYS / CARTON)	PACKING STANDARD
20789-060T-02	1	80 / TRAY	20 / S CARTON = 1600	4 / P CARTON = 6400	PST-17069

20789-0T-02 : WITH PULL TAPE**



NO.	DISCRIPTION	MATERIAL	FINISH , REMARKS
5	TRAY	PS	ANTI-STATIC TYPE

ANGLE	±2°	6 OVER 30 MAX.	±0.3	PROJECTION	SERIES No.	CUSTOMER COPY
6 MAX.	±0.2	30 OVER 120 MAX.	±0.5		R2	
GENERAL TOLERANCE.				TITLE	SCALE	
DWG.	DATE	CABLIN®-CA II PLUS		1:2		
CHK.	DATE	PLUG LOCK BAR ASS'Y		UNIT		
APP.	DATE	DWG. No.	20789	mm		
				SIZE	A3	SHEET 3/3
				REV.	7	