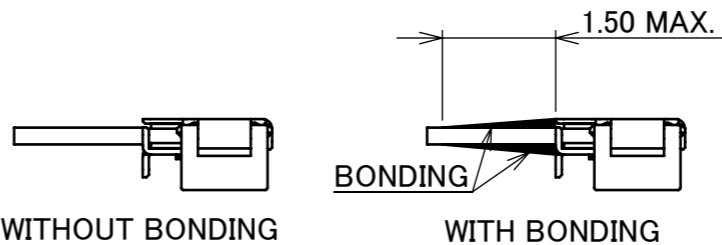


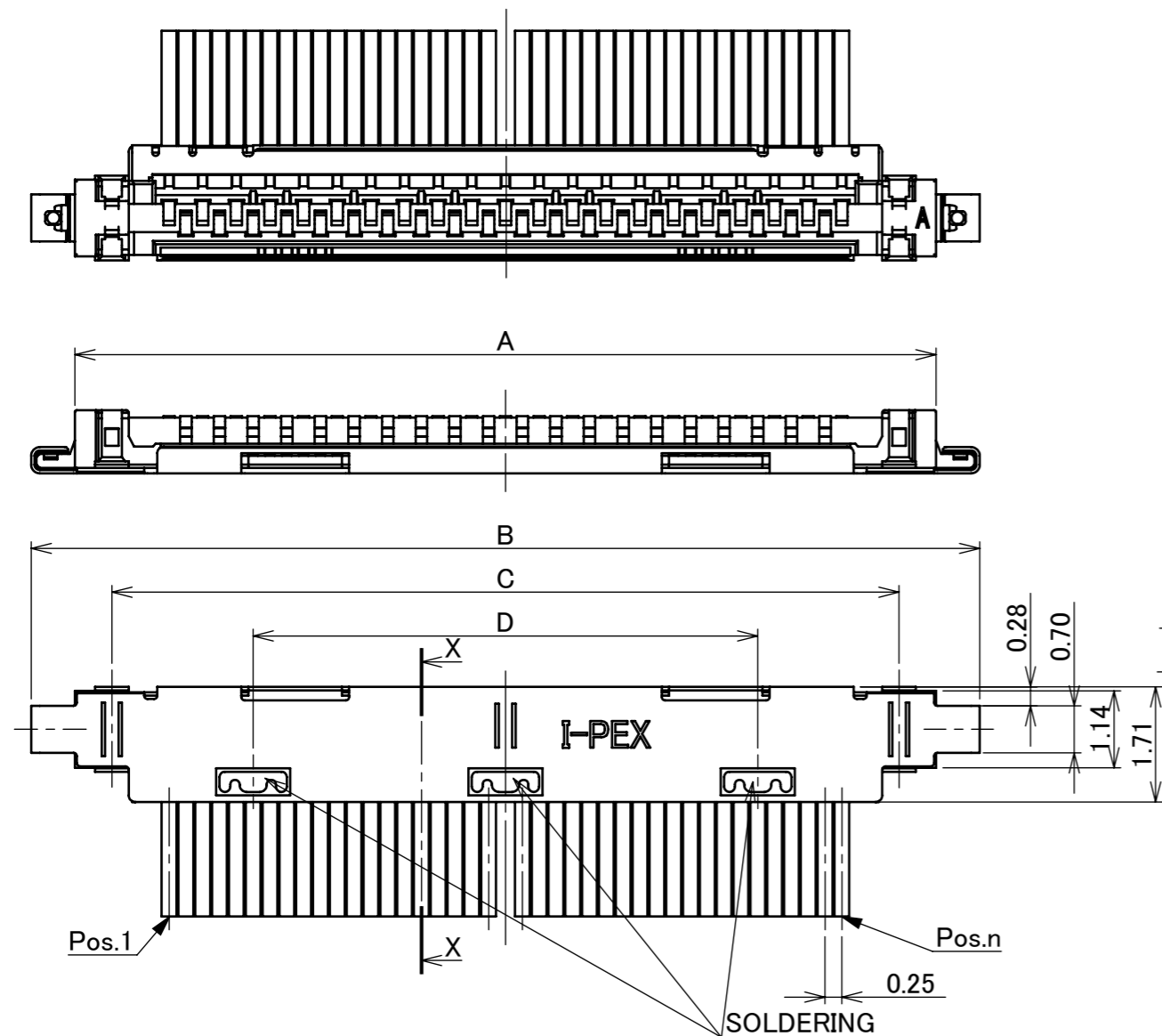
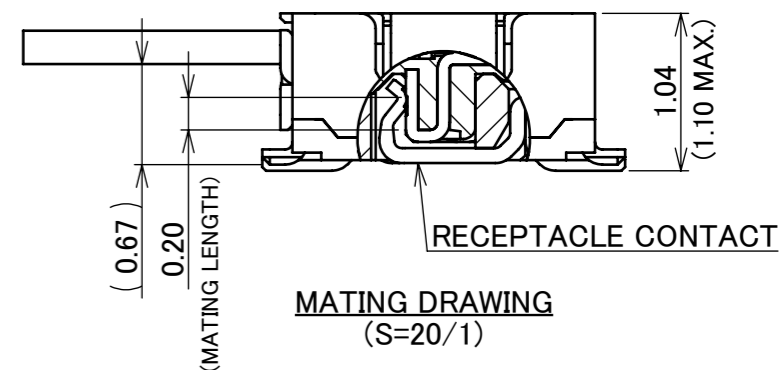
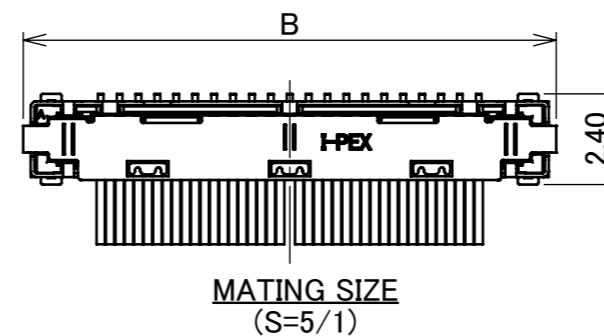
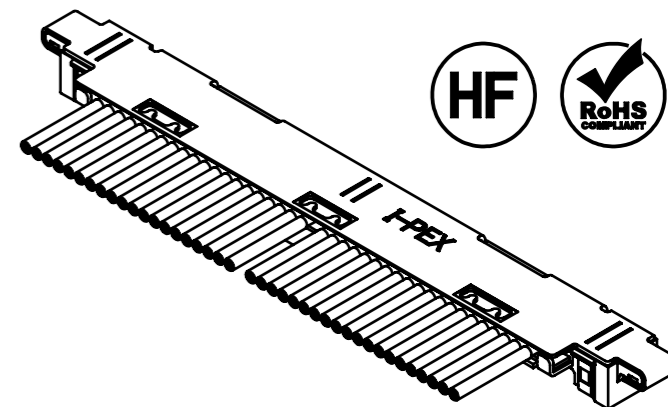
Recommended P/N 20531-0**T-02

PART No.	A	B	C	D
20531-030T-#2	10.3	11.6	9.2	5.0
20531-034T-#2	11.3	12.6	10.2	6.0
20531-040T-#2	12.8	14.1	11.7	7.5
20531-050T-#2	15.3	16.6	14.2	10.0

20531-0 ** T- # 2
SEE TABLE.1
Pos.



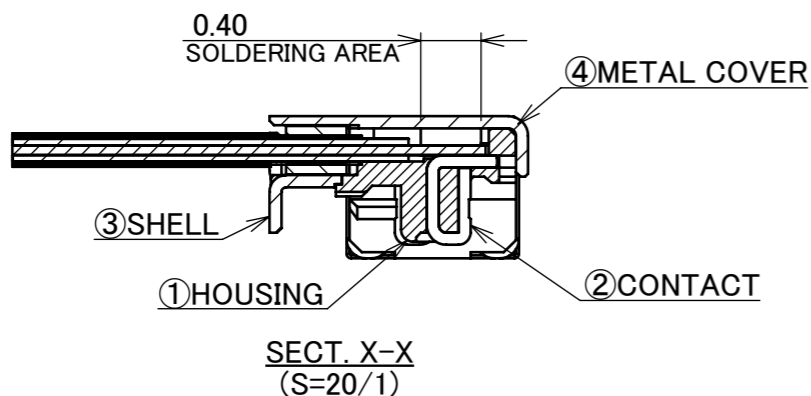
ASSEMBLY STATE
※WE RECOMMEND BONDING THE CABLE AND CONNECTOR TO PROTECT THE CABLE.



1.00 MIN.
(LENGTH OF STRAIGHT SECTION)

TABLE.1

PART NO.	CONTACT MATERIAL
20531-0**T-02	PHOSPHOR BRONZE
20531-0**T-12	CORSON ALLOY



NO.	DISCRIPTION	MATERIAL	FINISH , REMARKS
4	METAL COVER	SUS	Au 0.05 μ m MIN. OVER Ni 1.0 μ m MIN.
3	SHELL	PHOSPHOR BRONZE	Au 0.05 μ m MIN. OVER Ni 1.0 μ m MIN.
2	CONTACT	SEE ABOVE TABLE.1	Au 0.1 μ m MIN. OVER Ni 1.0 μ m MIN.
1	HOUSING	LCP	UL94V-0 ,BLACK

REV.	ECN	BY	DATE	APP.	APP.	DATE	DWG. No.	SIZE	SHEET	REV.
12	Z200314	A.K	Mar./26/'20	Y.S	ANGLE	±2°	6 OVER 30 MAX.	±0.3		
11	Z190765	A.K	June/7/'19	H.I	6 MAX.	±0.2	30 OVER 120 MAX.	±0.5		
10	Z190729	A.K	May/31/'19	Y.S	GENERAL TOLERANCE.					
9	Z180877	A.K	Sept./24/'18	H.I	DWG.	DATE				
8	Z180330	R.H	Mar./14/'18	M.T	M.Takemoto	2010/07/08				
7	Z180254	IMI	Feb./28/'18	M.T	CHK.	DATE				
REVISION RECORD					E.Kawabe	2010/07/12				

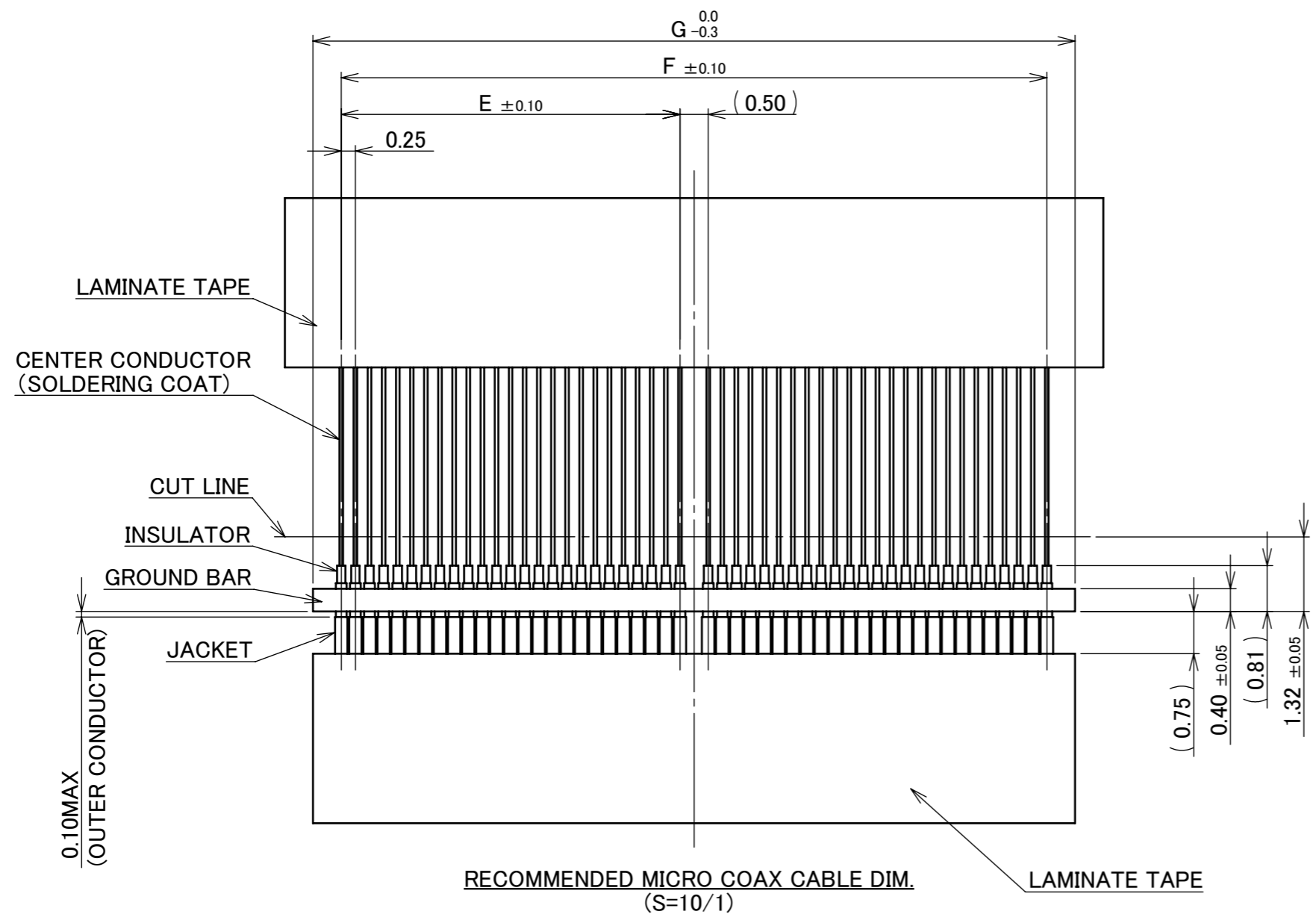
PROJECTION	SERIES No.	TITLE	SCALE
⊕	R3R1	CABLINE®-UX II PLUG FOR CABLE ASSEMBLY	10:1
			UNIT mm
			SIZE A3

I-PEX

ITEMS	SPECIFICATION
APPLICABLE CABLE	MICRO COAX : AWG# 44 ,46 DISCRETE : AWG#39
RATING VOLTAGE	50V AC (PER CONTACT)
RATING AMPERAGE (FOR CONTACT)	CONTACT MATERIAL : PHOSPHOR BRONZE (PLUG : 20531-0**T-02 ,RECEPTACLE : 20533-0**E) 0.50A AC/DC [AWG#39] (PER CONTACT / UP TO 6 CONTACTS) 0.15A AC/DC [AWG#44] 0.10A AC/DC [AWG#46] CONTACT MATERIAL : CORSON ALLOY (PLUG : 20531-0**T-12 ,RECEPTACLE : 20533-0**E-01) 0.50A AC/DC [AWG#39] (PER CONTACT / UP TO 8 CONTACTS) 0.19A AC/DC [AWG#44] 0.14A AC/DC [AWG#46]
OPERATING TEMPERATURE	233~358K(-40°C~+85°C)
OPERATING HUMIDITY	75% MAX.(NON-CONDENSING)
CONTACT RESISTANCE	INITIAL : 450mohm MAX.(AWG#39) 1080mohm MAX.(AWG#44) 1880mohm MAX.(AWG#46) AFTER TEST : \triangleleft 40mohm MAX.
GROUND SHELL RESISTANCE	INITIAL : 100mohm MAX. / AFTER TEST : \triangleleft 40mohm MAX.
INSULATION RESISTANCE	INITIAL : 100Mohm MIN. / AFTER TEST : 100Mohm MIN.
DIELECTRIC WITHSTANDING VOLTAGE	AC100V 1min
DURABILITY	20 CYCLES
MATING FORCE (INITIAL / AFTER TEST)	30P : 26.4N MAX. 34P : 27.6N MAX. 40P : 29.4N MAX. 50P : 32.4N MAX.
UNMATING FORCE (INITIAL / AFTER TEST)	30P : 1.5N MIN. 34P : 1.9N MIN. 40P : 2.5N MIN. 50P : 3.5N MIN.
CABLE RETENTION FORCE	30P : 15.0N MIN. 34P : 17.0N MIN. 40P : 20.0N MIN. 50P : 25.0N MIN.
PRODUCT SPECIFICATION	PRS-1555
TEST REPORT	TR-10051
INSTRUCTION MANUAL	HIM-10001
ASSEMBLY MANUAL	ASM-10001
APPEARANCE CRITERIA No.	QLS-A***

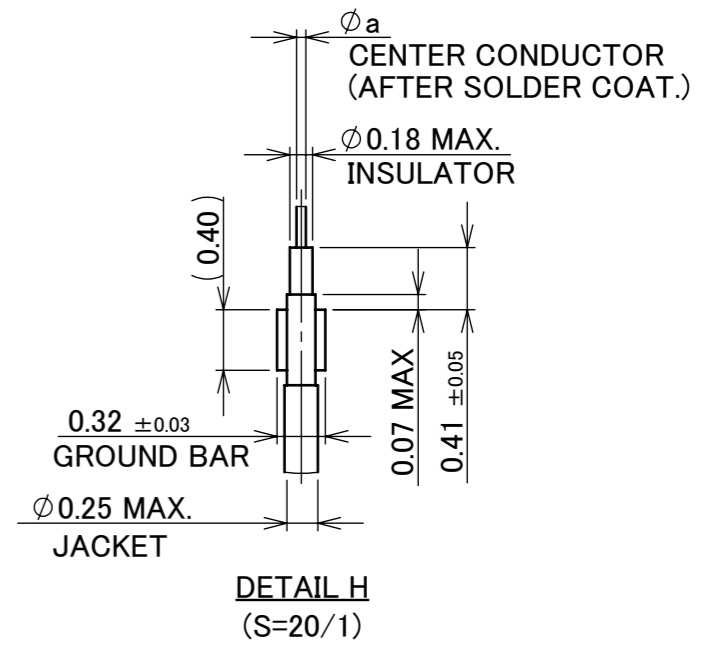
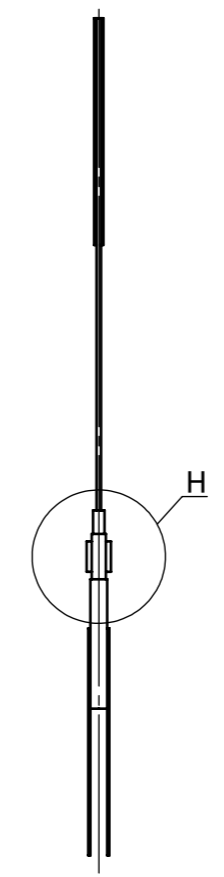
ANGLE	$\pm 2^\circ$	6 OVER 30 MAX.	± 0.3	PROJECTION 	SERIES No. R3R1	CUSTOMER COPY
	6 MAX.	± 0.2	30 OVER 120 MAX.			
GENERAL TOLERANCE.				TITLE CABLIN [®] -UX II PLUG FOR CABLE ASSEMBLY	SCALE 5:1 UNIT mm	I-PEX
DWG.	DATE					
CHK.	DATE					
APP.	DATE					
				DWG. No.	20531	SIZE A3
				SHEET	2/4	REV. 12

PART No.	E	F	G
20531-030T-#2	3.5	7.5	8.5
20531-034T-#2	4.0	8.5	9.5
20531-040T-#2	4.75	10.0	11.0
20531-050T-#2	6.0	12.5	13.5



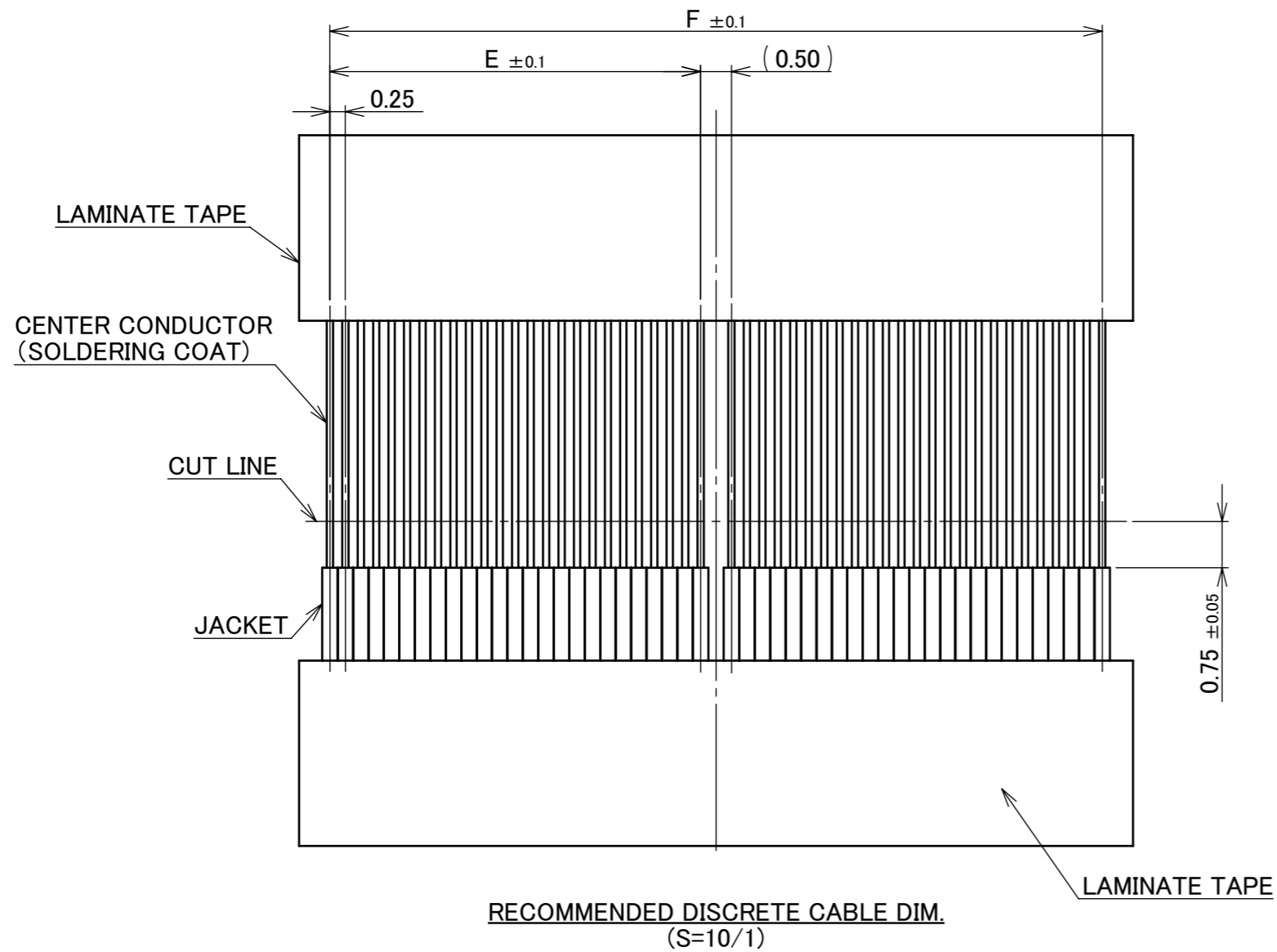
MICRO COAX CABLE DIMENSION

	a
#44	$\phi 0.063$
#46	$\phi 0.048$



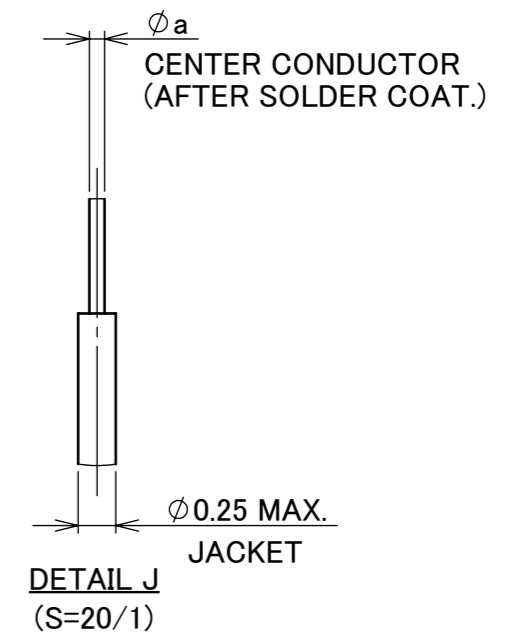
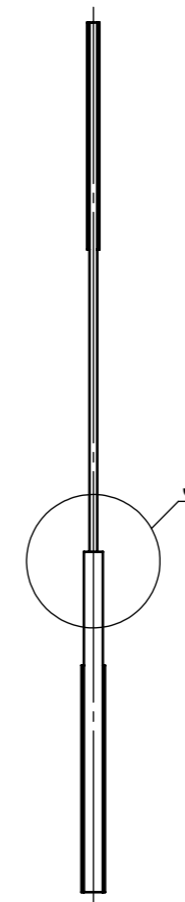
ANGLE	$\pm 2^\circ$	6 OVER 30 MAX.	± 0.3	PROJECTION 	SERIES No. R3R1	CUSTOMER COPY
	6 MAX.	± 0.2	30 OVER 120 MAX.			
GENERAL TOLERANCE.				TITLE CABLIN [®] -UX II PLUG FOR CABLE ASSEMBLY	SCALE 10:1 UNIT mm SIZE A3	SHEET 3/4 REV. 12 I-PEX
DWG.	DATE					
CHK.	DATE					
APP.	DATE					
DWG. No.				20531		

PART No.	E	F
20531-030T-#2	3.5	7.5
20531-034T-#2	4.0	8.5
20531-040T-#2	4.75	10.0
20531-050T-#2	6.0	12.5



DISCRETE CABLE DIMENSION

	a
#39	$\phi 0.102$



ANGLE	$\pm 2^\circ$	6 OVER 30 MAX.	± 0.3	PROJECTION	SERIES No.	CUSTOMER COPY	
	6 MAX.	± 0.2	30 OVER 120 MAX.	± 0.5	R3R1		
GENERAL TOLERANCE.				TITLE	SCALE	I-PEX	
DWG.	DATE			CABLIN [®] -UX II PLUG FOR CABLE ASSEMBLY	10:1		
CHK.	DATE				UNIT		mm
APP.	DATE				DWG. No.		20531
					SIZE	A3	
					SHEET	4/4	
					REV.	12	