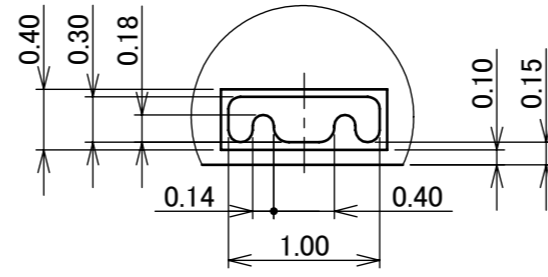
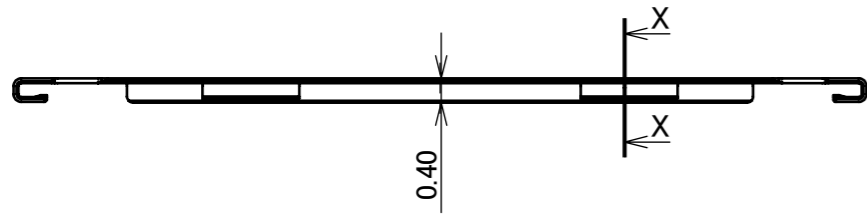
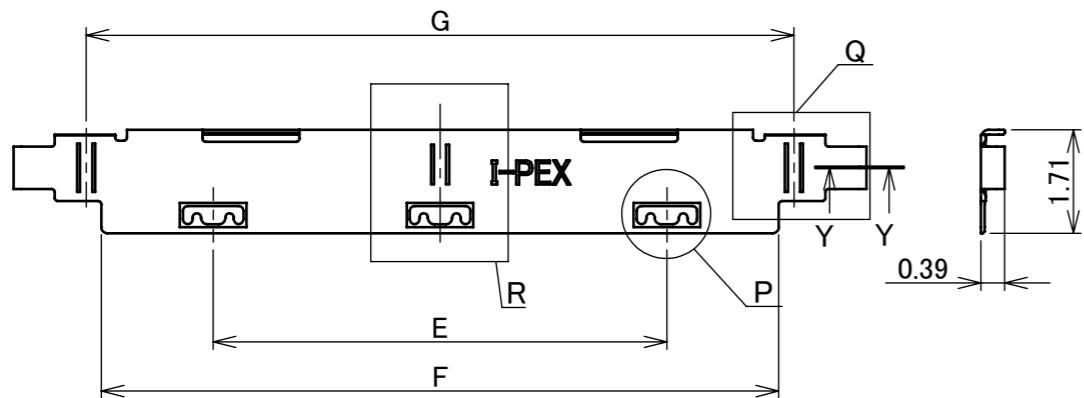
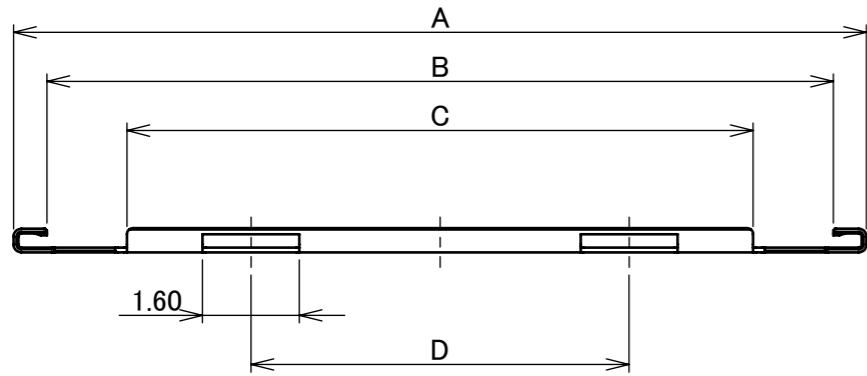
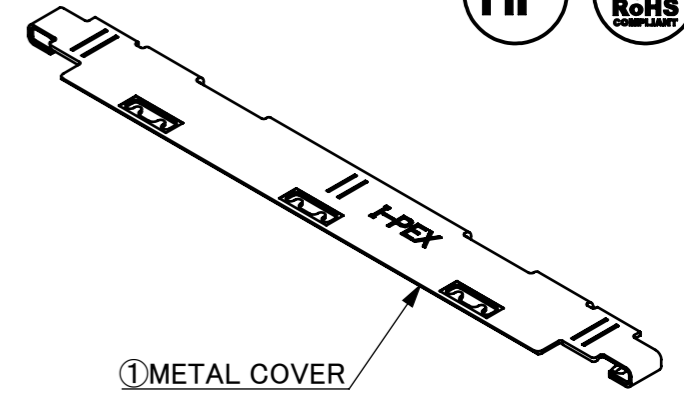
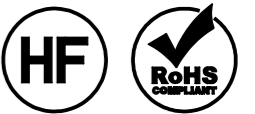


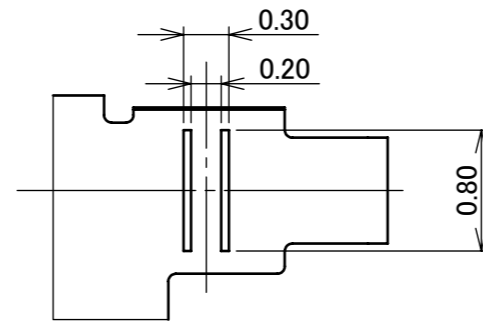
Recommended P/N

2799-0**1

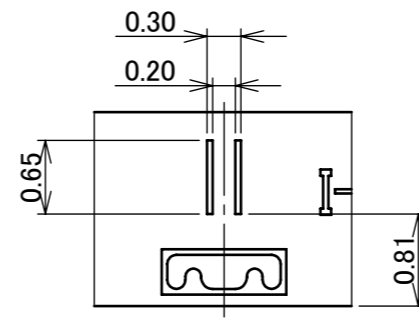
PART No.	A	B	C	D	E	F	G
2799-0301	11.60	10.50	7.85	3.75	5.00	8.70	9.20
2799-0341	12.60	11.50	8.85	4.75	6.00	9.70	10.20
2799-0401	14.10	13.00	10.35	6.25	7.50	11.20	11.70
2799-0501	16.60	15.50	12.85	6.25	10.00	13.70	14.20



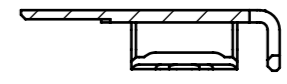
DETAIL P (S=20/1)



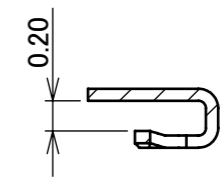
DETAIL Q (S=20/1)



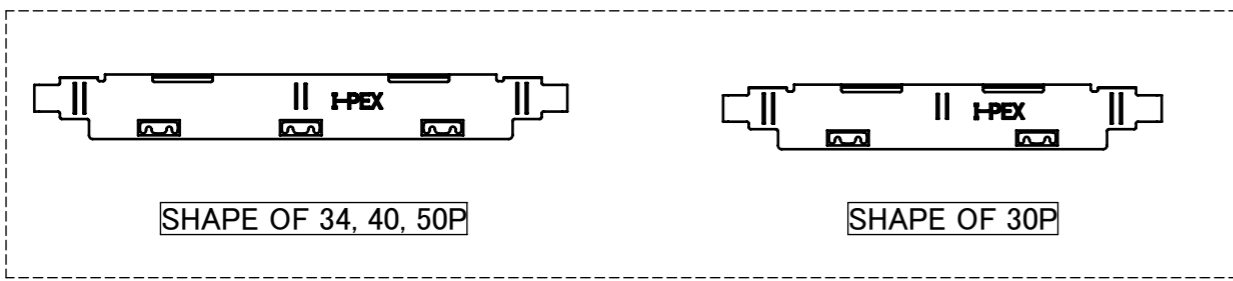
DETAIL R (S=15/1) CENTER MATING MARK



SECT. X-X (S=20/1)



SECT. Y-Y (S=20/1)



NO.	DISCRIPTION	MATERIAL	FINISH , REMARKS
1	METAL COVER	SUS	Au 0.05 μ m MIN. OVER Ni 1.00 μ m MIN.

REV.	ECN	BY	DATE	APP.	APP.	DATE	DWG. No.	SIZE	SHEET	REV.
9	Z191209	A.K	Sept./12/'19	H.I	ANGLE	±2°	6 OVER 30 MAX.	±0.3		
8	Z180877	A.K	Sept./24/'18	H.I	6 MAX.	±0.2	30 OVER 120 MAX.	±0.5		
7	Z180330	R.H	Mar./14/'18	M.T	GENERAL TOLERANCE.					
6	Z150306	S.T	Mar./20/'15	Tom	DWG.	DATE				
5	Z150166	S.T	Feb./13/'15	Tom	M.Takemoto	2010/07/08				
4	Z140256	D.S	Mar./19/'14	K.N	CHK.	DATE				
					APP.	DATE				
					E.Kawabe	2010/07/12				

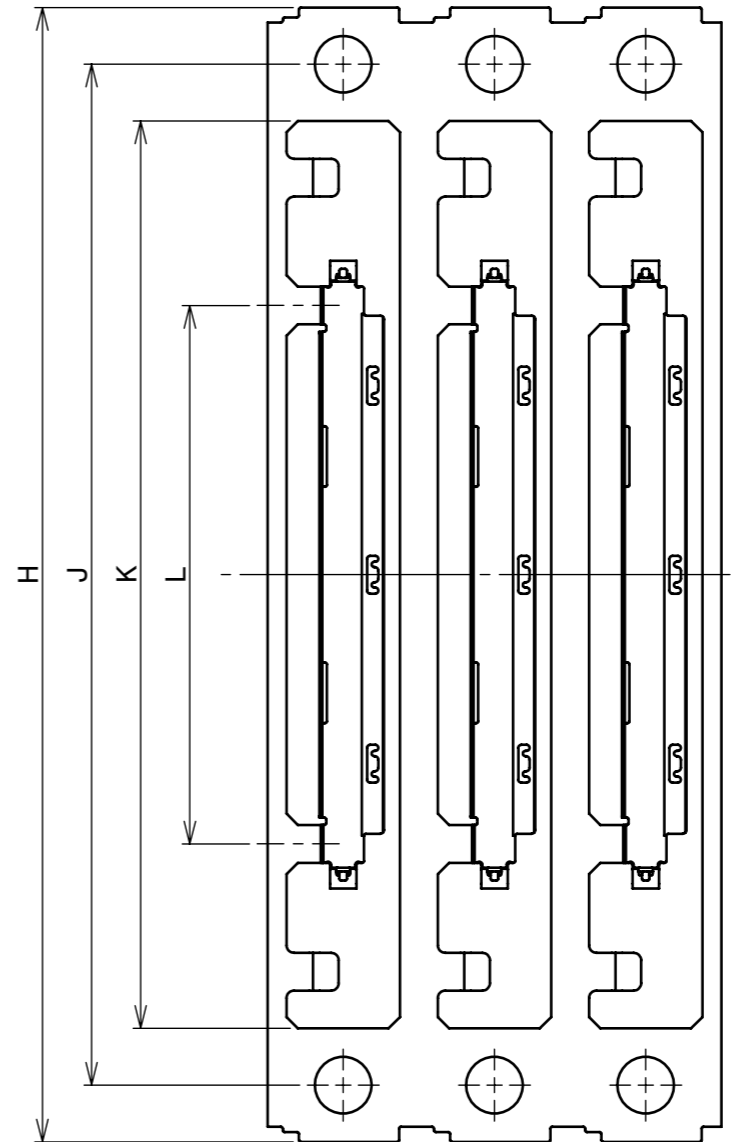
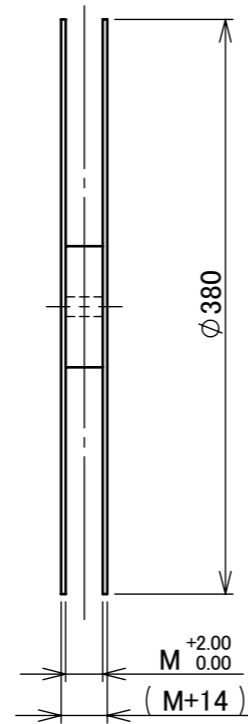
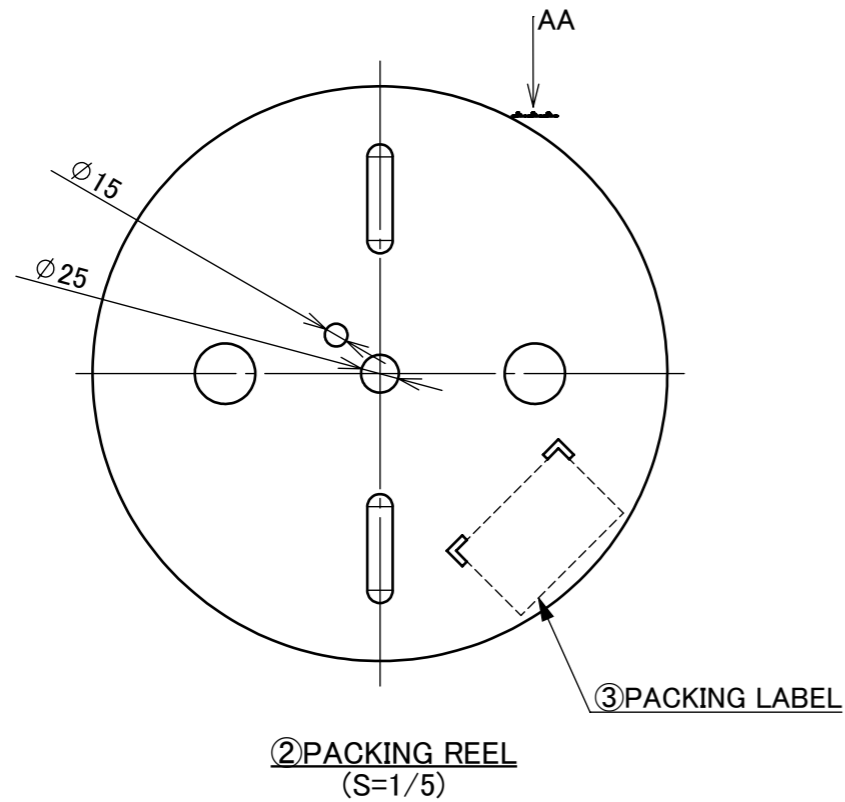
PROJECTION	SERIES No.	TITLE	SCALE
⊕	R1	CABLIN [®] -UX II METAL COVER	8:1
			UNIT
			mm
			SIZE
			A3
			SHEET 1/2
			REV. 9

Confidential C

I-PEX Inc.

QKE-DFFDE06-02 REV.11

PART No.	Pos.	H	J	K	L	M	QTY. PER PACKING REEL (PIECES / REEL)	QTY. PER PACKING CARTON (REELS / CARTON)	PACKING STANDARD
2799-0301	30	25.00	22.00	19.00	9.25	30.00	20000 / REEL	3 / CARTON = 60000	300-875
2799-0341	34	26.00	23.00	20.00	10.25				
2799-0401	40	27.50	24.50	21.50	11.75				
2799-0501	50	30.00	27.00	24.00	14.25				



VIEW AA
(S=5/1)

NO.	DISCRIPTION	MATERIAL	FINISH , REMARKS
3	PACKING LABEL	-	-
2	PACKING REEL	CARDBOARD	-

ANGLE	±2°	6 OVER 30 MAX.	±0.3	PROJECTION	SERIES No.	CUSTOMER COPY
6 MAX.	±0.2	30 OVER 120 MAX.	±0.5		R1	
GENERAL TOLERANCE.				TITLE	SCALE	I-PEX
DWG.	DATE		CABLIN [®] -UX II METAL COVER	5:1		
CHK.	DATE			UNIT		
APP.	DATE			mm		
				DWG. No.	SIZE	SHEET 2/2 REV. 9
				2799	A3	