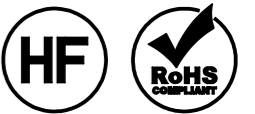
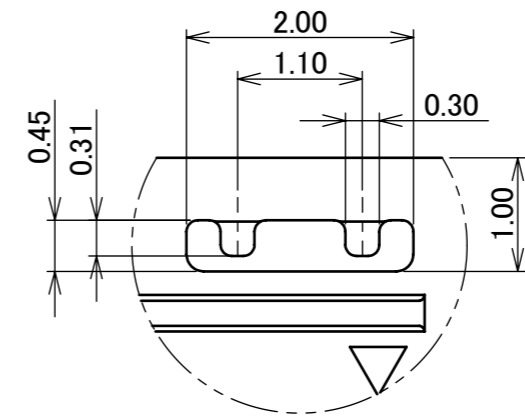
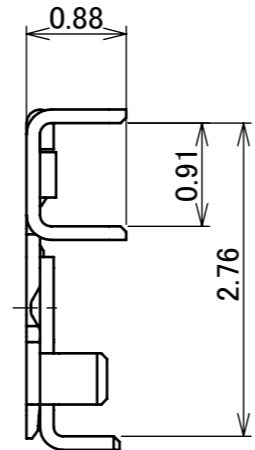
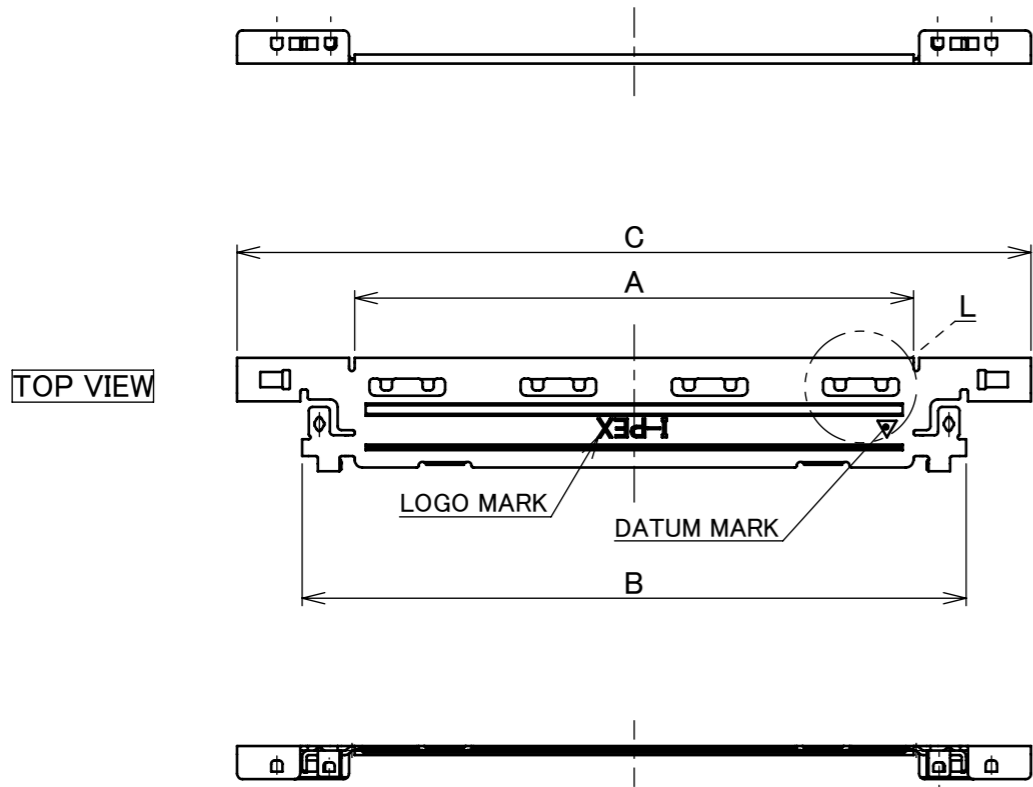
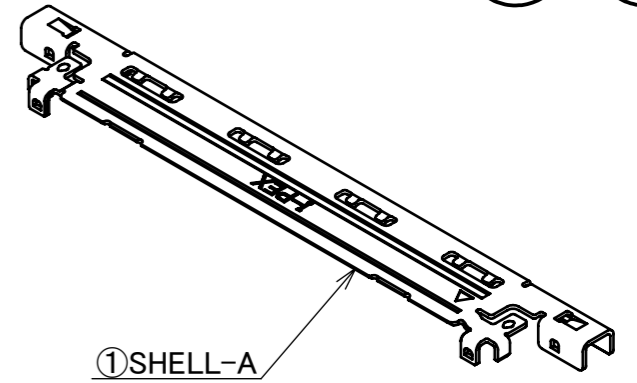


Recommended P/N 2574-0**2

PART NO.	Pos.	A	B	C	D
2574-#20#	20	9.78	12.56	16.00	8.00 [= 4.0 × (3-1)]
2574-#30#	30	14.78	17.56	21.00	12.00 [= 4.0 × (4-1)]
2574-#40#	40	19.78	22.56	26.00	16.00 [= 4.0 × (5-1)]
2574-#50#	50	24.78	27.56	31.00	20.00 [= 4.0 × (6-1)]



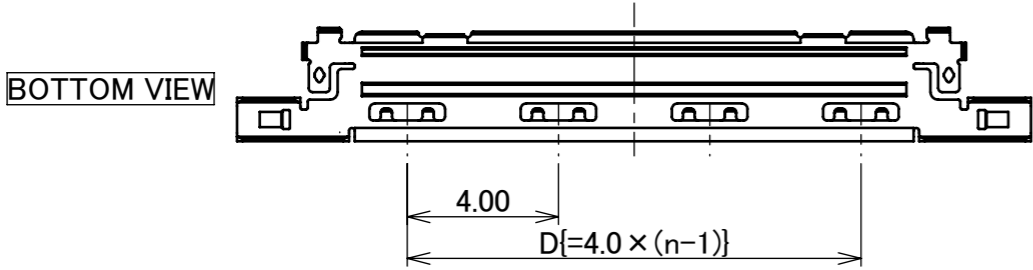
P/N:2574-#**#
 SEE TABLE.1
 Pos.
 0 : WITH DATUM MARK
 1 : WITHOUT DATUM MARK



DETAIL L
S= 15 : 1

TABLE.1

PART NO.	SHELL-A FINISH
2574-***	TOP SIDE : Au 0.05 μm MIN. OVER Ni 1.00 μm MIN. BOTTOM SIDE : Au 0.015 μm MIN. OVER Ni 1.00 μm MIN.
2574-***2	TOP SIDE : Au 0.03 μm MIN. OVER Ni 1.00 μm MIN. BOTTOM SIDE : Ni 1.00 μm MIN. (THERE IS THE POSSIBILITY THAT Au ATTACHES RANDOMLY)

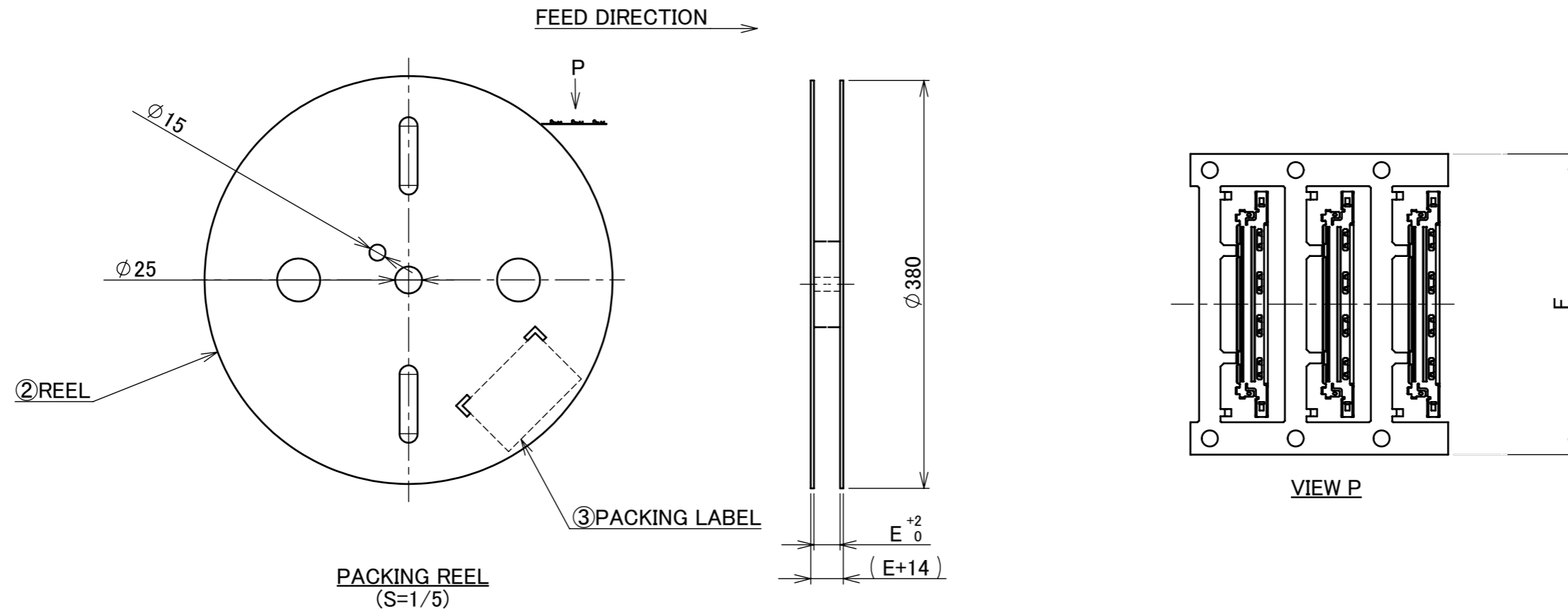


PATENT REGISTERED

NO.	DISCRIPTION	MATERIAL	FINISH , REMARKS
1	SHELL A	PHOSPHOR BRONZE	SEE ABOVE TABLE.1

REV.	ECN	BY	DATE	APP.	APP.	DWG. No.	2574	SIZE	SHEET	REV.
14	Z201153	T.Ono	Nov./05/'20	H.I	ANGLE ±2°	6 OVER 30 MAX.	±0.3	PROJECTION SERIES No. R3 TITLE CABLINE® -VS PLUG SHELL-A SCALE 5:1 UNIT mm I-PEX	CUSTOMER COPY	14
13	Z191177	R.M	Sept./16/'19	H.I	6 MAX. ±0.2	30 OVER 120 MAX.	±0.5			
12	Z180941	A.K	July/18/'18	H.I	GENERAL TOLERANCE.					
11	Z180796	A.K	June/20/'18	H.I	DWG. H.Ikari	DATE 2008/04/16				
10	Z151047	H.I	Sept./23/'15	Y.S	CHK.					
9	Z141346	K.T	Nov./25/'14	E.K						
REV.	ECN	BY	DATE	APP.	APP.	DWG. No.	2574	A3	1/2	14

PART NO.	E	F	QTY. PER EMBOSS REEL (PIECES / REEL)	QTY. PER PACKING CARTON (REELS / CARTON)	PACKING STANDARD
2574-#20#	30	23	5000 PIECES / REEL	3 REELS / CARTON = 15000	300-642
2574-#30#	35	28			
2574-#40#	40	33			
2574-#50#	45	38			



NO.	DISCRIPTION	MATERIAL	FINISH , REMARKS
3	PACKING LABEL	-	-
2	REEL	CARDBOARD	-

ANGLE	$\pm 2^\circ$	6 OVER 30 MAX.	± 0.3	PROJECTION	SERIES No.	CUSTOMER COPY		
6 MAX.	± 0.2	30 OVER 120 MAX.	± 0.5		R3	<div style="display: flex; align-items: center;"> <div style="margin-right: 10px;"> DWG. _____ CHK. _____ APP. _____ </div> <div style="margin-right: 10px;"> DATE _____ </div> <div style="margin-right: 10px;"> TITLE CABLINE® -VS PLUG SHELL-A </div> <div style="margin-right: 10px;"> SCALE 5:1 </div> <div style="margin-right: 10px;"> UNIT mm </div> <div style="margin-right: 10px;"> SIZE A3 </div> <div style="margin-right: 10px;"> SHEET 2/2 </div> <div> REV. 14 </div> </div>		
GENERAL TOLERANCE.								
DWG. No. 2574								
SIZE A3 SHEET 2/2 REV. 14								