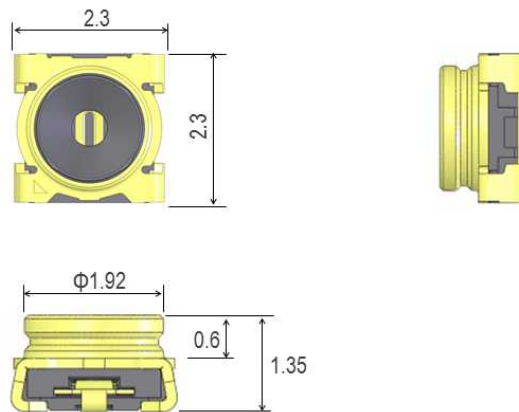




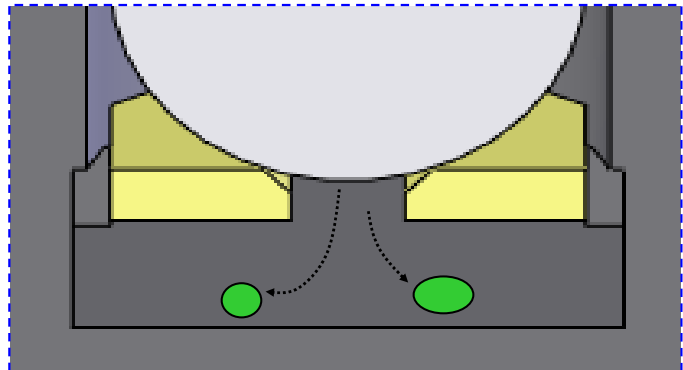
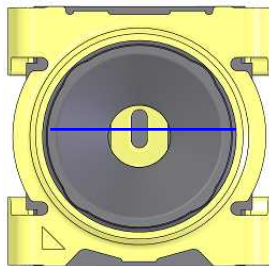
- ✓ 2.3 x 2.3 mm excellent inspection connector for RF modules with on-board antennas.
- ✓ Contaminant-resistant design prevents disruption.
- ✓ Variety of inspection probes available.

Feature		Contaminant discontinuity resistant design
Dimension (mm)		2.3 x 2.3 x 1.35 (H)
Rated power		2W max.
Frequency		DC~11.0 GHz
V.S.W.R.	DC~3.0 GHz	1.2 max. (DC ~ 2.5 GHz)
	3.0 GHz~6.0 GHz	1.3 max. (2.5 ~ 6.0 GHz)
	6.0 GHz~11.0 GHz	1.5 max.
Insertion loss	DC~3.0 GHz	0.15 dB max. (DC ~ 2.5 GHz)
	3.0 GHz~6.0 GHz	0.20 dB max. (2.5 ~ 6.0 GHz)
	6.0 GHz~11.0 GHz	0.40 dB max.

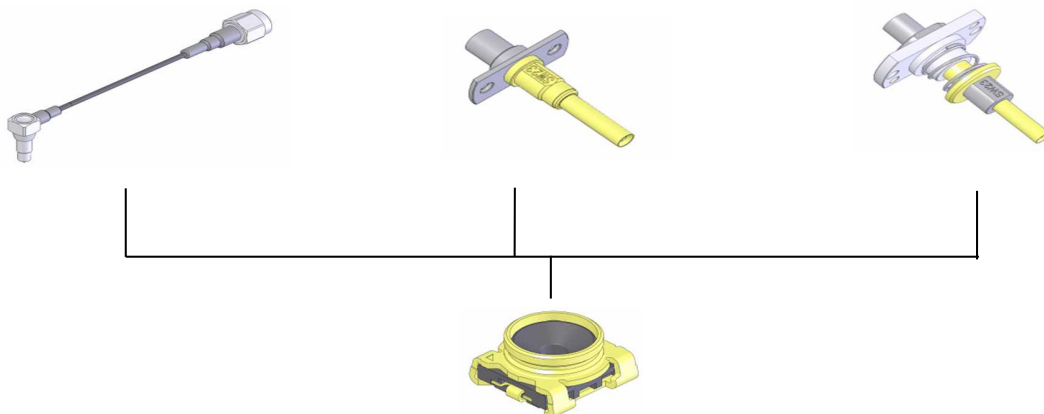
2.3 x 2.3 mm excellent Inspection connector for RF modules with on-board antennas



Contaminant-resistant design prevents disruption



Variety of inspection probes available

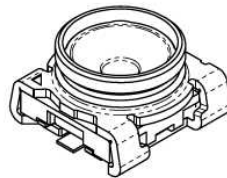
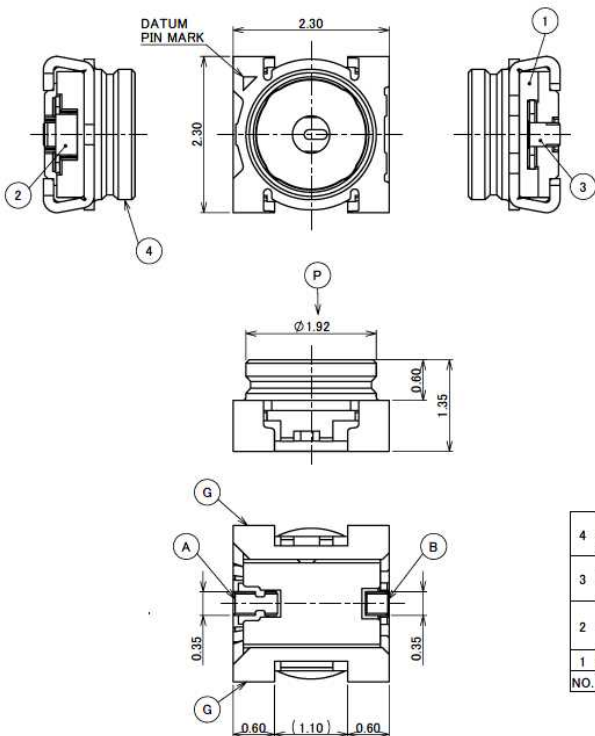


MHF[®]-SW23

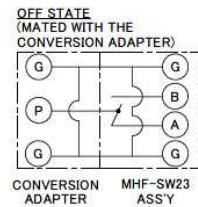
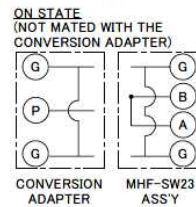
Component Parts Detail

MHF[®]-SW23

Recommended P/N	20549-001E
PART NO.	PACKING QUANTITY
20549-001E	10,000/REEL
20549-001E-01	2,500/REEL



NOTES:
 1. COPLANARITY : 0.1MAX.
 2. RoHS COMPLIANT.
 3. CIRCUIT OF SWITCH

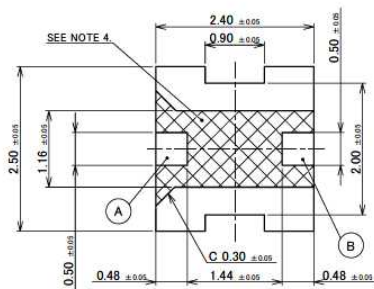


NO.	DESCRIPTION	MATERIAL	FINISH , REMARKS
4	GROUND CONTACT	PHOSPHOR BRONZE	ALL OVER Ni 1.00 μm MIN. CONTACT PART Au 0.02 μm MIN. SOLDERING PART Au 0.02 μm MIN.
3	CONTACT B	PHOSPHOR BRONZE	ALL OVER Ni 1.00 μm MIN. CONTACT PART Au 0.2 μm MIN. SOLDERING PART Au 0.02 μm MIN.
2	CONTACT A	CORSON ALLOY	ALL OVER Ni 1.00 μm MIN. CONTACT PART Au 0.2 μm MIN. SOLDERING PART Au 0.02 μm MIN.
1	HOUSING	LCP	UL94V-0, BLACK

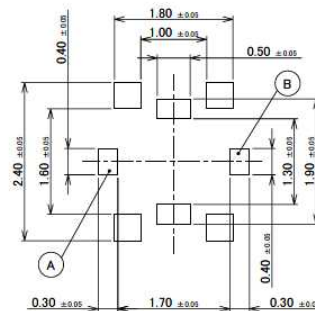
ITEMS	SPECIFICATION	
	CONNECTOR PART NO.	20549-001E
RATING POWER	2 W	
RATING FREQUENCY	DC ~ 11.0 GHz	
OPERATING TEMPERATURE	233 ~ 358 K (-40°C ~ +85°C)	
OPERATING HUMIDITY	90% MAX. (NON-CONDENSING)	
VSWR	1.2 MAX. AT DC ~ 2.5 GHz, 1.3 MAX. AT 2.5 GHz ~ 6.0 GHz, 1.5 MAX. AT 6.0 GHz ~ 11.0 GHz	
MAIN CONTACT RESISTANCE	100 mohm MAX	
GROUND CONTACT RESISTANCE	100 mohm MAX	
INSULATION RESISTANCE	INITIAL: 1000 Mohm MIN. / AFTER TEST: 10 Mohm MIN.	
DIELECTRIC WITHSTANDING VOLTAGE	100 V AC, 1 MINUTE	
DURABILITY	100 CYCLES	
PRODUCT SPECIFICATION	PRS-1672	
TEST REPORT	TR-12041	
PACKING STANDARD	300-991	PST-12025
INSTRUCTION MANUAL	HIM-13004	
APPEARANCE CRITERIA No.	QLS-A***	

Rev.9

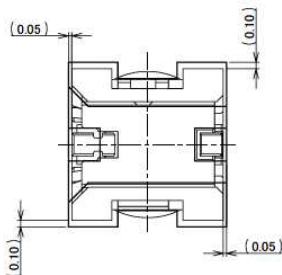
MHF® -SW23



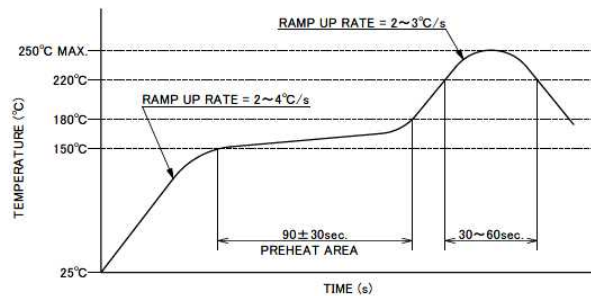
RECOMMENDED FOOTPRINT PATTERN



MASK THICKNESS: t = 0.1
METAL MASK



CONNECTOR ON RECOMMENDED FOOTPRINT PATTERN

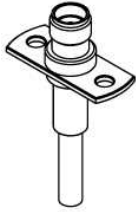


REFLOW TEMPERATURE PROFILE
SENJU METAL INDUSTRY CO., LTD. M705-SHF(Sn96.5 Ag3.0 Cu0.5)

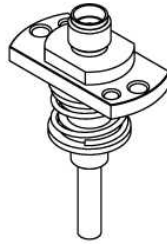
NOTES
4. PATTERN AND RESIST PROHIBITION AREA

Rev.9

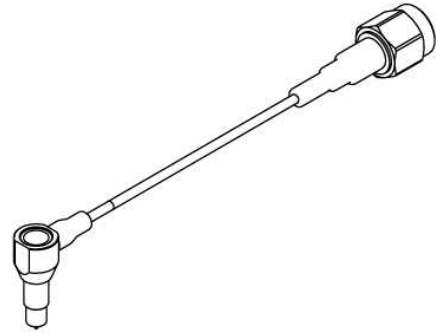
Accessories for MHF® -SW23



MHF-SW23 RECEPTACLE HIGH CYCLE SMA ADAPTER
PART NO. 90604-0001



MHF-SW23 RECEPTACLE HIGH CYCLE F SMA ADAPTER
PART NO. 90605-0001



MHF-SW23 SMA ADAPTER CABLE
PART NO. 90582-0*00

Rev.9

I-PEX

© I-PEX Inc. 2021. All rights reserved.

I-PEX, MHF, CABLINE, NOVASTACK, EVAFLEX, MINIFLEX, ISH, IARPB, IASLP, ESTORQ, ISFIT, i-Fit and ZenShield are registered trademarks of I-PEX Inc. Please note that the contents in the catalog might be changed without prior notification. I-PEX Inc. assumes no responsibility for any inaccuracies or obligation to update Information on these documents. Please be sure to read and understand the latest "Precautions for Use" and "Instruction Manual" before you use our products. We shall not be responsible for any defects, damages or troubles in case you use our products without following the precautions for use. Please feel free to contact our sales representatives when you use our products for any applications that require very high reliability and safety, or that relate to human life (ex. nuclear power control, aerospace, transportation, medical equipment, safety equipment etc.).

Contact your sales representative for more detailed information. [www.i-pex.com]

202111R0